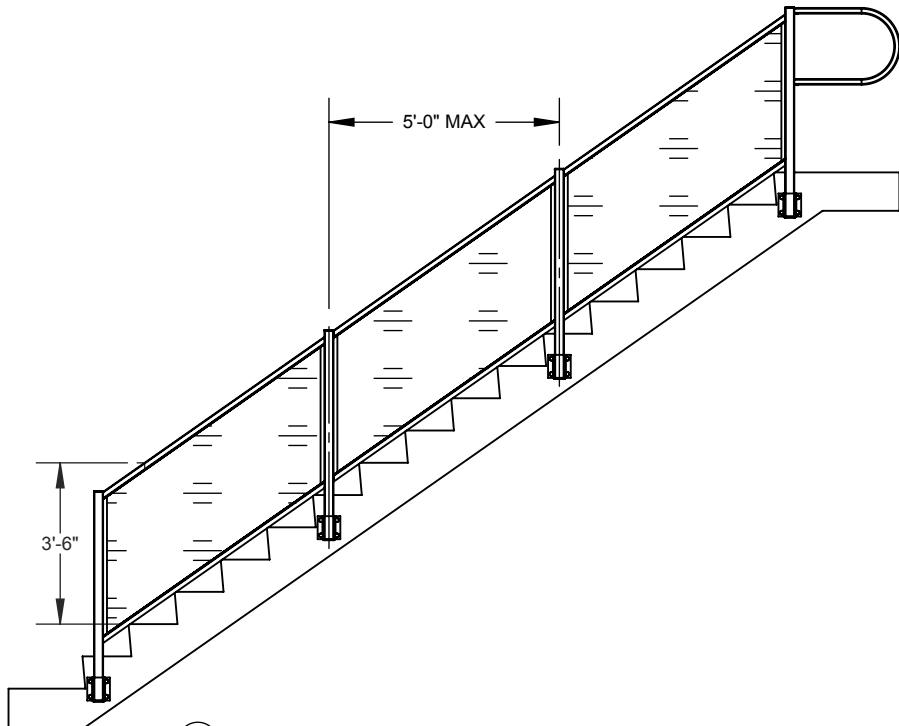


2

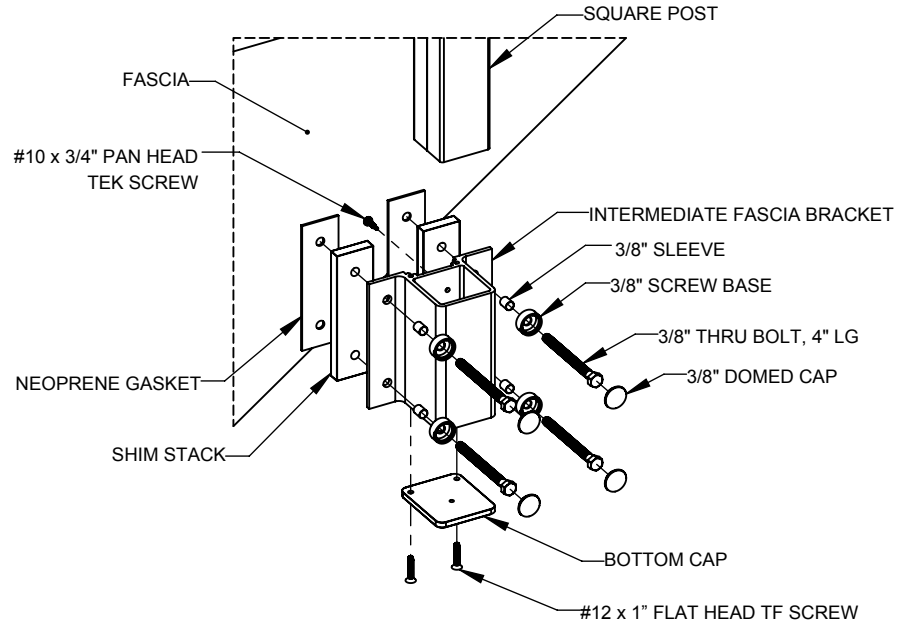
1

B

B



1 GLASS WITH TOP AND BOTTOM RAIL, STAIR GUARD



2 TYP. INTERMEDIATE BRACKET MOUNTING CONNECTION
SCALE 1 : 8


A

A

eGlass Element™

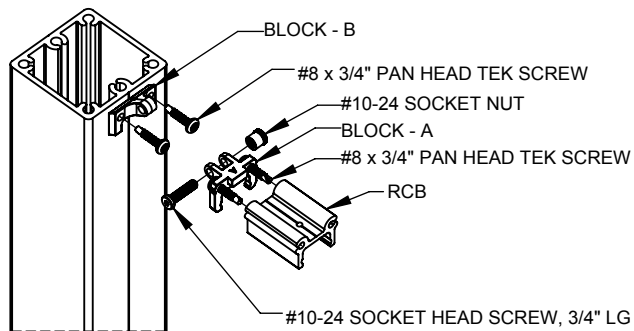
PROPRIETARY AND CONFIDENTIAL

THE INFORMATION CONTAINED IN THIS DRAWING IS THE SOLE PROPERTY OF EGLASS LLC. ANY REPRODUCTION IN PART OR AS A WHOLE WITHOUT THE WRITTEN PERMISSION OF EGLASS LLC IS PROHIBITED.

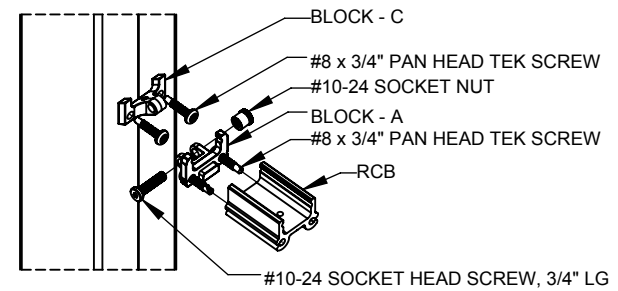
NOTES: UNLESS OTHERWISE SPECIFIED		NAME	DATE		
1. DIMENSIONS SHOWN - INCHES [MM].	DIMENSIONS ARE IN INCHES FRACTIONAL ±	DRAWN	V.P.		
2. MACHINED SURFACES TO BE 63µIN MAX.	ANGULAR: MACH ±	ENG APPR.			
3. PART TO BE FREE OF BURRS AND SHARP EDGES.	TWO PLACE DECIMAL ±	MFG APPR.			
4. ALL MATERIAL TO BE CLEAN, DEGREASED AND FREE OF ALL IMPURITIES.	THREE PLACE DECIMAL ±	COMMENTS:		SIZE	DWG. NO.
5. ANY CHANGE MUST BE AUTHORIZED BY AN EGLASS ENGINEER.	MATERIAL	PURCHASER HAS THE FULL RESPONSIBILITY TO COMPLY WITH LOCAL, NATIONAL AND INTERNATIONAL BUILDING CODES. PURCHASER SHALL COMPLY IN ALL RESPECTS WITH ALL APPLICABLE LEGAL REQUIREMENTS GOVERNING THE DUTIES, OBLIGATIONS, AND BUSINESS PRACTICES OF THEIR LOCALITIES AND SHALL OBTAIN ANY PERMITS OR LICENSES NECESSARY FOR THEIR OPERATIONS.		A	CEGS-00-00
	FINISH			SCALE: 1:50	WEIGHT:
	DO NOT SCALE DRAWING				REV
					2
					SHEET 1 OF 3

2

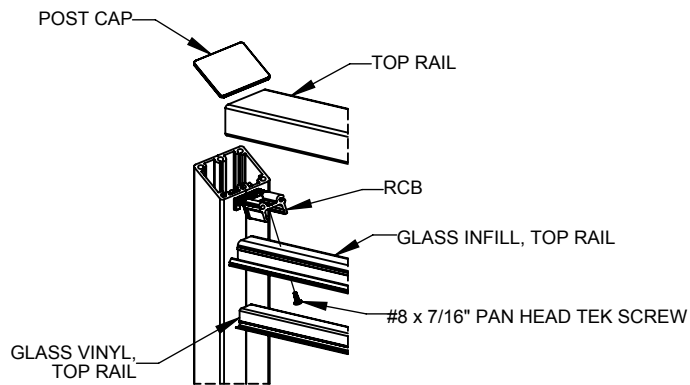
1



3 TYP. TOP RAIL HINGE JOINT, CONNECTION

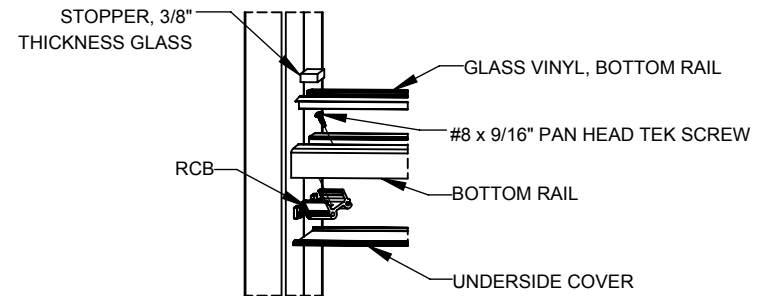


4 TYP. BOTTOM RAIL HINGE JOINT, CONNECTION



5 TYP. TOP RAIL CONNECTION

SCALE 1 : 8



6 TYP. BOTTOM RAIL CONNECTION

SCALE 1 : 8

NOTES: UNLESS OTHERWISE SPECIFIED

1. DIMENSIONS SHOWN - INCHES [MM]. 2. MACHINED SURFACES TO BE 63UIN MAX. 3. PART TO BE FREE OF BURRS AND SHARP EDGES. 4. ALL MATERIAL TO BE CLEAN, DEGREASED AND FREE OF ALL IMPURITIES. 5. ANY CHANGE MUST BE AUTHORIZED BY AN EGLASS ENGINEER.	DIMENSIONS ARE IN INCHES FRACTIONAL ± ANGULAR: MACH ± TWO PLACE DECIMAL ± THREE PLACE DECIMAL ±
	MATERIAL
	FINISH
	DO NOT SCALE DRAWING

NAME	DATE
V.P.	12/11/18
DRAWN	
ENG APPR.	
MFG APPR.	
COMMENTS: PURCHASER HAS THE FULL RESPONSIBILITY TO COMPLY WITH LOCAL, NATIONAL AND INTERNATIONAL BUILDING CODES. PURCHASER SHALL COMPLY IN ALL RESPECTS WITH ALL APPLICABLE LEGAL REQUIREMENTS GOVERNING THE DUTIES, OBLIGATIONS, AND BUSINESS PRACTICES OF THEIR LOCALITIES AND SHALL OBTAIN ANY PERMITS OR LICENSES NECESSARY FOR THEIR OPERATIONS.	

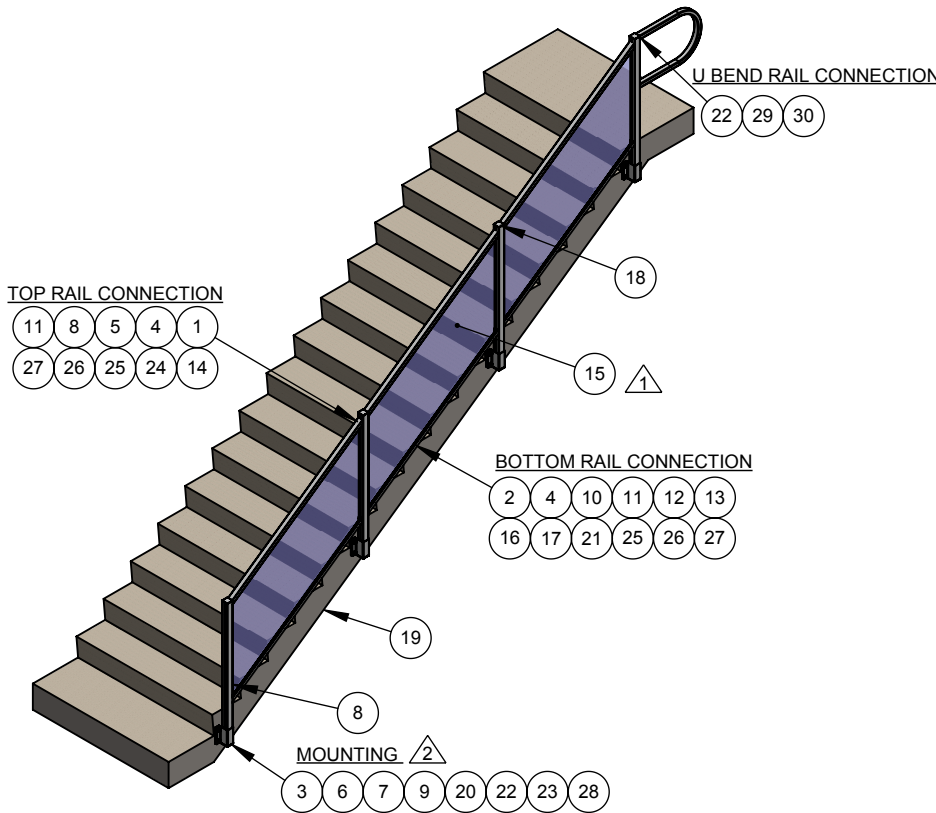


TITLE: EGLASS ELEMENT, FASCIA MOUNT, STAIR GUARD, WITH BRACKET, 42" RAILING SYSTEM		
SIZE	DWG. NO.	REV
A	CEGS-00-00	2
SCALE: 1:4	WEIGHT:	SHEET 2 OF 3

eGlass Element™

PROPRIETARY AND CONFIDENTIAL

THE INFORMATION CONTAINED IN THIS DRAWING IS THE SOLE PROPERTY OF EGLASS LLC. ANY REPRODUCTION IN PART OR AS A WHOLE WITHOUT THE WRITTEN PERMISSION OF EGLASS LLC IS PROHIBITED.



NOTES:

1. DIFFERENT SIZES OF GLASS PANELS ARE AVAILABLE.
REFER DWG NO: CAAS-G2-08 (1/4" THK) AND CAAS-G3-08 (3/8" THK).

2. MOUNTING:

INSIDE CORNER AND OUTSIDE CORNER BRACKETS:

FOR CONCRETE:

1. STD-AC-07 (3/8" THRU BOLT, 3.5" LENGTH)

FOR WOOD:

1. STD-AC-08 (5/8" LAG SCREW W/MIN 6" EMBED)

INTERMEDIATE BRACKETS:

FOR CONCRETE:

1. STD-AC-06 (3/8" THRU BOLT, 4" LENGTH)

FOR WOOD:

1. STD-AC-05 (3/8" LAG SCREW W/MIN 6" EMBED)

BILL OF MATERIAL TABLE

ITEM NO.	PART NUMBER	DESCRIPTION	QTY.
1	800S-TR-01	800 SERIES, TOP RAIL (2" x 1 1/2" x 1/8"), 20' LENGTH	AS REQD.
2	AAAA-BR-01	BOTTOM RAIL (1 3/8" x 1 1/2" x 1/8"), 20' LENGTH	AS REQD.
3	AAGA-IB-01	INTERMEDIATE FASCIA BRACKET, 6" HEIGHT	AS REQD.
4	AAAA-RC-01	RCB, 1.5" PRE-CUT	AS REQD.
5	AEEA-TI-01	EGLASS ELEMENT, INFILL, TOP RAIL, 20' LENGTH	AS REQD.
6	AAGA-SH-01	SHIM STACK, INTERMEDIATE BRACKET	AS REQD.
7	AAGA-NG-01	NEOPRENE GASKET, INTERMEDIATE BRACKET	AS REQD.
8	AAFA-SP-56	SQUARE POST, LONG BLANK, (2 3/8" x 2 3/8" x 1/8" x 56")	AS REQD.
9	AAGA-BC-01	BOTTOM CAP, INTERMEDIATE FASCIA BRACKET	AS REQD.
10	AAAS-HJ-03	BLOCK - C	AS REQD.
11	AAAS-HJ-02	BLOCK - A	AS REQD.
12	AAAS-HJ-01	BLOCK - B	AS REQD.
13	AAAA-BV-31	GLASS VINYL, BOTTOM RAIL, 3/8" THICK GLASS, 5' LENGTH	AS REQD.
14	AAAA-TV-31	GLASS VINYL, TOP RAIL, 3/8" THICK GLASS, 5' LENGTH	AS REQD.
15	CAAS-G3-08	3/8" TEMPERED GLASS, STAIR GUARD RAILING	AS REQD.
16	AAAA-UC-01	BOTTOM RAIL, UNDERSIDE COVER, 20' LENGTH	AS REQD.
17	AAAA-ST-31	STOPPER, 3/8" THICKNESS GLASS	AS REQD.
18	AAAA-PC-01	POST CAP, 2 3/8" SQUARE POST	AS REQD.
19	STD-DK-03	STEPS - CONCRETE	AS REQD.
20	STD-AC-06	3/8" THRU BOLT, 4" LG	AS REQD.
21	STD-SC-02	#8 x 9/16" PAN HEAD TEK SCREW	AS REQD.
22	STD-SC-03	#10 x 3/4" PAN HEAD TEK SCREW	AS REQD.
23	STD-SC-09	#12 x 1" FLAT HEAD TF SCREW	AS REQD.
24	STD-SC-11	#8 x 7/16" PAN HEAD TEK SCREW	AS REQD.
25	STD-SC-12	#8 x 3/4" PAN HEAD TEK SCREW	AS REQD.
26	STD-SC-13	#10-24 SOCKET HEAD SCREW, 3/4" LG	AS REQD.
27	STD-NT-03	#10-24 SOCKET NUT	AS REQD.
28	STD-SW-00	3/8" SCREW COVER	AS REQD.
29	AAAS-LB-01	L-BRACKET	AS REQD.
30	AAAS-UB-02	U-BEND RAIL, 2" TOP RAIL	AS REQD.

eGlass Element™

PROPRIETARY AND CONFIDENTIAL

THE INFORMATION CONTAINED IN THIS DRAWING IS THE SOLE PROPERTY OF EGLASS LLC. ANY REPRODUCTION IN PART OR AS A WHOLE WITHOUT THE WRITTEN PERMISSION OF EGLASS LLC IS PROHIBITED.

NOTES: UNLESS OTHERWISE SPECIFIED

- DIMENSIONS SHOWN - INCHES [MM].
- MACHINED SURFACES TO BE 63µIN MAX.
- PART TO BE FREE OF BURRS AND SHARP EDGES.
- ALL MATERIAL TO BE CLEAN, DEGREASED AND FREE OF ALL IMPURITIES.
- ANY CHANGE MUST BE AUTHORIZED BY AN EGLASS ENGINEER.

DIMENSIONS ARE IN INCHES
FRACTIONAL ±
ANGULAR: MACH ±
TWO PLACE DECIMAL ±
THREE PLACE DECIMAL ±

MATERIAL

FINISH

DO NOT SCALE DRAWING

NAME DATE

V.P. 12/11/18

DRAWN

ENG APPR.

MFG APPR.

COMMENTS:

PURCHASER HAS THE FULL RESPONSIBILITY TO COMPLY WITH LOCAL, NATIONAL AND INTERNATIONAL BUILDING CODES. PURCHASER SHALL COMPLY IN ALL RESPECTS WITH ALL APPLICABLE LEGAL REQUIREMENTS GOVERNING THE DUTIES, OBLIGATIONS, AND BUSINESS PRACTICES OF THEIR LOCALITIES AND SHALL OBTAIN ANY PERMITS OR LICENSES NECESSARY FOR THEIR OPERATIONS.



TITLE: **EGLASS ELEMENT, FASCIA MOUNT, STAIR GUARD, WITH BRACKET, 42" RAILING SYSTEM**

SIZE DWG. NO. REV
A CEGS-00-00 2

SCALE: 1:50 WEIGHT: SHEET 3 OF 3