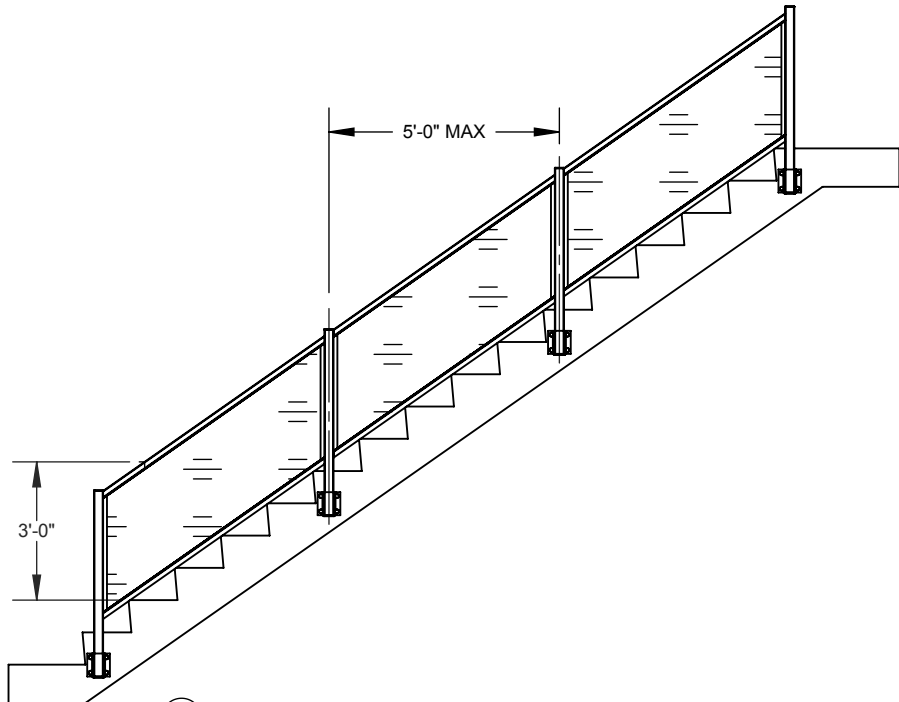


2

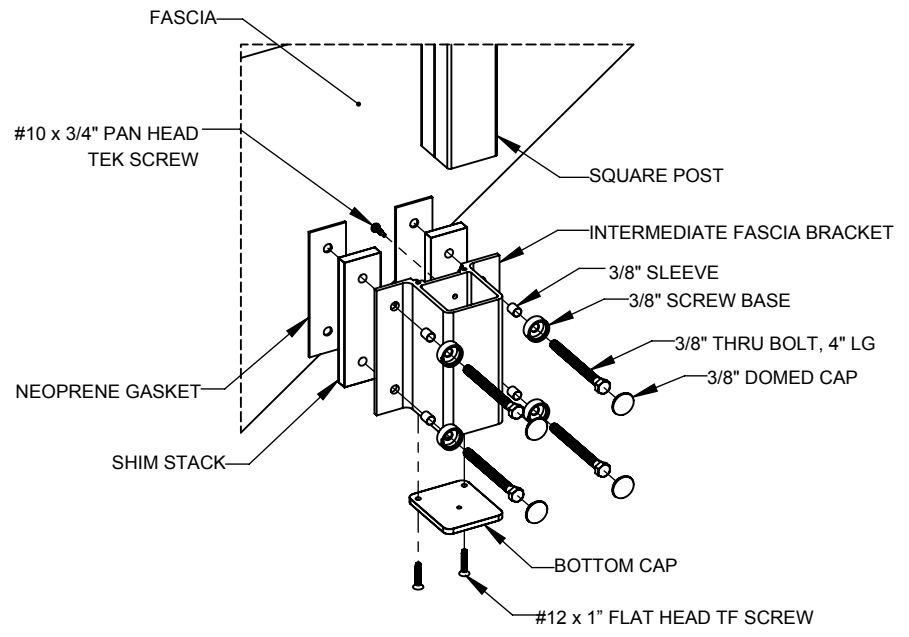
1

B

B



① GLASS WITH TOP AND BOTTOM RAIL, STAIR GUARD



② TYP. INTERMEDIATE BRACKET MOUNTING CONNECTION
SCALE 1 : 8

A

A

eGlass Element™

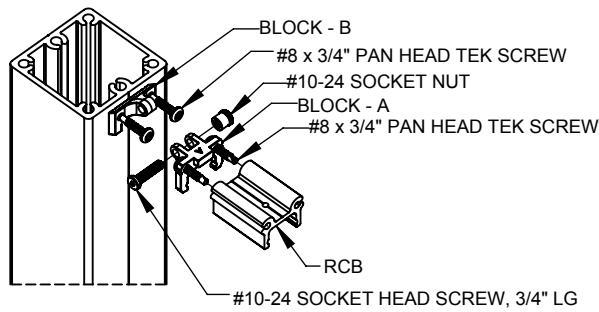
PROPRIETARY AND CONFIDENTIAL

THE INFORMATION CONTAINED IN THIS DRAWING IS THE SOLE PROPERTY OF EGLASS LLC. ANY REPRODUCTION IN PART OR AS A WHOLE WITHOUT THE WRITTEN PERMISSION OF EGLASS LLC IS PROHIBITED.

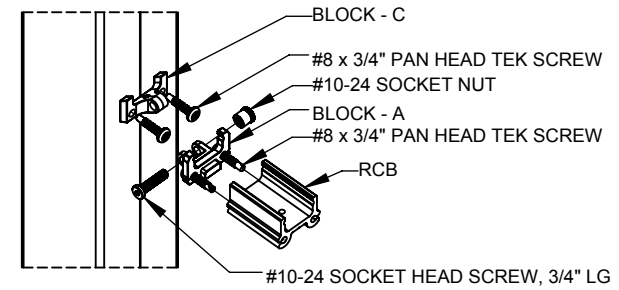
NOTES: UNLESS OTHERWISE SPECIFIED		NAME	DATE	eGLASS RAILING™		
1. DIMENSIONS SHOWN - INCHES [MM]. 2. MACHINED SURFACES TO BE 63µIN MAX. 3. PART TO BE FREE OF BURRS AND SHARP EDGES. 4. ALL MATERIAL TO BE CLEAN, DEGREASED AND FREE OF ALL IMPURITIES. 5. ANY CHANGE MUST BE AUTHORIZED BY AN EGLASS ENGINEER.	DIMENSIONS ARE IN INCHES	DRAWN	V.P.	TITLE: EGLASS ELEMENT, FASCIA MOUNT, STAIR GUARD, WITH BRACKET, 36" RAILING SYSTEM		
	FRACTIONAL ±	ENG APPR.		SIZE	DWG. NO.	
	ANGULAR: MACH ±	MFG APPR.		A	REGS-00-00	
	TWO PLACE DECIMAL ±	COMMENTS:	PURCHASER HAS THE FULL RESPONSIBILITY TO COMPLY WITH LOCAL, NATIONAL AND INTERNATIONAL BUILDING CODES. PURCHASER SHALL COMPLY IN ALL RESPECTS WITH ALL APPLICABLE LEGAL REQUIREMENTS GOVERNING THE DUTIES, OBLIGATIONS, AND BUSINESS PRACTICES OF THEIR LOCALITIES AND SHALL OBTAIN ANY PERMITS OR LICENSES NECESSARY FOR THEIR OPERATIONS.			
	THREE PLACE DECIMAL ±			REV	5	
MATERIAL	DO NOT SCALE DRAWING		SCALE: 1:50	WEIGHT:	SHEET 1 OF 3	
FINISH						

2

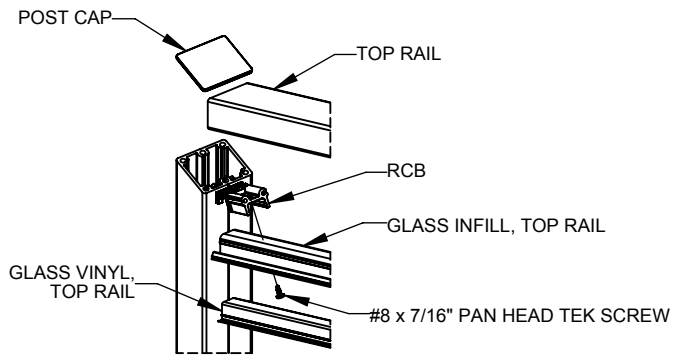
1



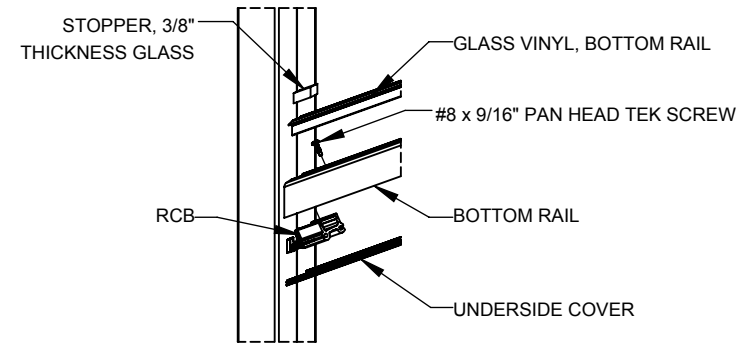
3 TYP. TOP RAIL HINGE JOINT, CONNECTION



4 TYP. BOTTOM RAIL HINGE JOINT, CONNECTION



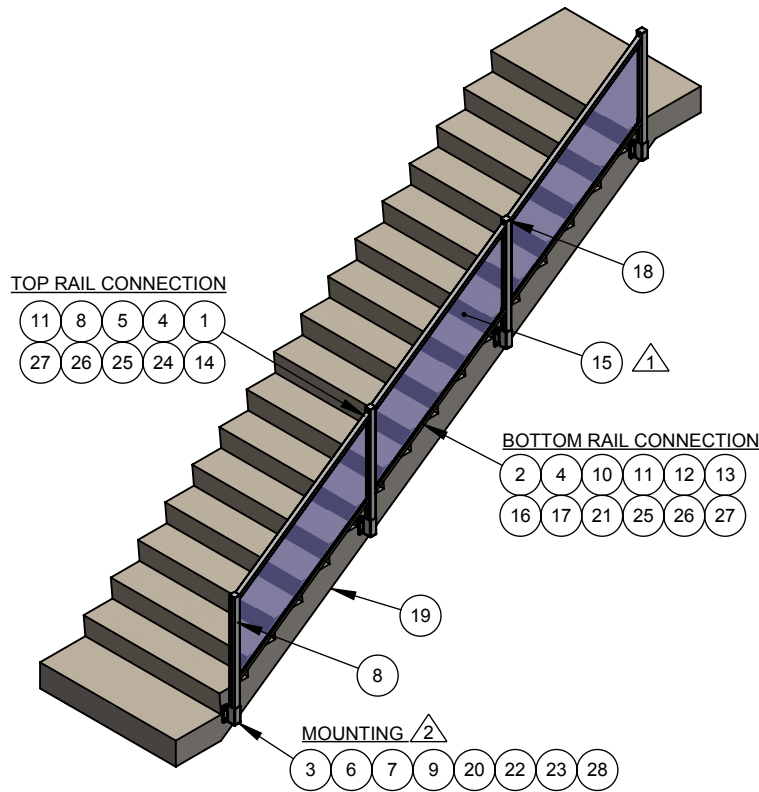
5 TYP. TOP RAIL CONNECTION
SCALE 1 : 8



6 TYP. BOTTOM RAIL CONNECTION
SCALE 1 : 8

NOTES: UNLESS OTHERWISE SPECIFIED		NAME	DATE	eGLASS RAILING™	
1. DIMENSIONS SHOWN - INCHES [MM]. 2. MACHINED SURFACES TO BE 63µIN MAX. 3. PART TO BE FREE OF BURRS AND SHARP EDGES. 4. ALL MATERIAL TO BE CLEAN, DEGREASED AND FREE OF ALL IMPURITIES. 5. ANY CHANGE MUST BE AUTHORIZED BY AN EGLASS ENGINEER.	DIMENSIONS ARE IN INCHES	DRAWN	V.P.	TITLE: EGLASS ELEMENT, FASCIA MOUNT, STAIR GUARD, WITH BRACKET, 36" RAILING SYSTEM	
	FRACTIONAL ±	ENG APPR.		SIZE	DWG. NO.
	ANGULAR: MACH ±	MFG APPR.		A	REGS-00-00
	TWO PLACE DECIMAL ±	COMMENTS: PURCHASER HAS THE FULL RESPONSIBILITY TO COMPLY WITH LOCAL, NATIONAL AND INTERNATIONAL BUILDING CODES. PURCHASER SHALL COMPLY IN ALL RESPECTS WITH ALL APPLICABLE LEGAL REQUIREMENTS GOVERNING THE DUTIES, OBLIGATIONS, AND BUSINESS PRACTICES OF THEIR LOCALITIES AND SHALL OBTAIN ANY PERMITS OR LICENSES NECESSARY FOR THEIR OPERATIONS.		REV	5
	THREE PLACE DECIMAL ±			SCALE: 1:4	WEIGHT:
MATERIAL					
FINISH					
DO NOT SCALE DRAWING					

eGlass Element™
 PROPRIETARY AND CONFIDENTIAL
 THE INFORMATION CONTAINED IN THIS DRAWING IS THE SOLE PROPERTY OF EGLASS LLC. ANY REPRODUCTION IN PART OR AS A WHOLE WITHOUT THE WRITTEN PERMISSION OF EGLASS LLC IS PROHIBITED.



NOTES:

- ①. DIFFERENT SIZES OF GLASS PANELS ARE AVAILABLE. REFER DWG NO: RAAS-G2-08 (1/4" THK) AND RAAS-G3-08 (3/8" THK).
- ②. MOUNTING:
 - INSIDE CORNER AND OUTSIDE CORNER BRACKETS:**
 - FOR CONCRETE:** 1. STD-AC-07 (3/8" THRU BOLT, 3.5" LENGTH)
 - FOR WOOD:** 1. STD-AC-08 (5/8" LAG SCREW W/MIN 6" EMBED)
 - INTERMEDIATE BRACKETS:**
 - FOR CONCRETE:** 1. STD-AC-06 (3/8" THRU BOLT, 4" LENGTH)
 - FOR WOOD:** 1. STD-AC-05 (3/8" LAG SCREW W/MIN 6" EMBED)

BILL OF MATERIAL TABLE

ITEM NO.	PART NUMBER	DESCRIPTION	QTY.
1	800S-TR-01	800 SERIES, TOP RAIL (2" x 1 1/2" x 1/8"), 20' LENGTH	AS REQD.
2	AAAA-BR-01	BOTTOM RAIL (1 3/8" x 1 1/2" x 1/8"), 20' LENGTH	AS REQD.
3	AAGA-IB-01	INTERMEDIATE FASCIA BRACKET, 6" HEIGHT	AS REQD.
4	AAAA-RC-01	RCB, 1.5" PRE-CUT	AS REQD.
5	AEEA-TI-01	EGLASS ELEMENT, INFILL, TOP RAIL, 20' LENGTH	AS REQD.
6	AAGA-SH-01	SHIM STACK, INTERMEDIATE BRACKET	AS REQD.
7	AAGA-NG-01	NEOPRENE GASKET, INTERMEDIATE BRACKET	AS REQD.
8	AAFA-SP-56	SQUARE POST, LONG BLANK, (2 3/8" x 2 3/8" x 1/8" x 56")	AS REQD.
9	AAGA-BC-01	BOTTOM CAP, INTERMEDIATE FASCIA BRACKET	AS REQD.
10	AAAS-HJ-03	BLOCK - C	AS REQD.
11	AAAS-HJ-02	BLOCK - A	AS REQD.
12	AAAS-HJ-01	BLOCK - B	AS REQD.
13	AAAA-BV-31	GLASS VINYL, BOTTOM RAIL, 3/8" THICK GLASS, 5' LENGTH	AS REQD.
14	AAAA-TV-31	GLASS VINYL, TOP RAIL, 3/8" THICK GLASS, 5' LENGTH	AS REQD.
15	RAAS-G3-08	3/8" TEMPERED GLASS, STAIR GUARD RAILING	AS REQD.
16	AAAA-UC-01	BOTTOM RAIL, UNDERSIDE COVER, 20' LENGTH	AS REQD.
17	AAAA-ST-31	STOPPER, 3/8" THICKNESS GLASS	AS REQD.
18	AAAA-PC-01	POST CAP, 2 3/8" SQUARE POST	AS REQD.
19	STD-DK-03	STEPS - CONCRETE	AS REQD.
20	STD-AC-06	3/8" THRU BOLT, 4" LG	AS REQD.
21	STD-SC-02	#8 x 9/16" PAN HEAD TEK SCREW	AS REQD.
22	STD-SC-03	#10 x 3/4" PAN HEAD TEK SCREW	AS REQD.
23	STD-SC-09	#12 x 1" FLAT HEAD TF SCREW	AS REQD.
24	STD-SC-11	#8 x 7/16" PAN HEAD TEK SCREW	AS REQD.
25	STD-SC-12	#8 x 3/4" PAN HEAD TEK SCREW	AS REQD.
26	STD-SC-13	#10-24 SOCKET HEAD SCREW, 3/4" LG	AS REQD.
27	STD-NT-03	#10-24 SOCKET NUT	AS REQD.
28	STD-SW-00	3/8" SCREW COVER	AS REQD.

NOTES: UNLESS OTHERWISE SPECIFIED

1. DIMENSIONS SHOWN - INCHES [MM]. 2. MACHINED SURFACES TO BE 63µIN MAX. 3. PART TO BE FREE OF BURRS AND SHARP EDGES. 4. ALL MATERIAL TO BE CLEAN, DEGREASED AND FREE OF ALL IMPURITIES. 5. ANY CHANGE MUST BE AUTHORIZED BY AN EGLASS ENGINEER.	DIMENSIONS ARE IN INCHES FRACTIONAL ± ANGULAR: MACH ± TWO PLACE DECIMAL ± THREE PLACE DECIMAL ±
	MATERIAL
	FINISH
	DO NOT SCALE DRAWING

NAME	DATE
V.P.	12/06/18
DRAWN	
ENG APPR.	
MFG APPR.	
COMMENTS: PURCHASER HAS THE FULL RESPONSIBILITY TO COMPLY WITH LOCAL, NATIONAL AND INTERNATIONAL BUILDING CODES. PURCHASER SHALL COMPLY IN ALL RESPECTS WITH ALL APPLICABLE LEGAL REQUIREMENTS GOVERNING THE DUTIES, OBLIGATIONS, AND BUSINESS PRACTICES OF THEIR LOCALITIES AND SHALL OBTAIN ANY PERMITS OR LICENSES NECESSARY FOR THEIR OPERATIONS.	



TITLE: **EGLASS ELEMENT, FASCIA MOUNT, STAIR GUARD, WITH BRACKET, 36" RAILING SYSTEM**

SIZE	DWG. NO.	REV
A	REGS-00-00	5
SCALE: 1:50	WEIGHT:	SHEET 3 OF 3

eGlass Element™

PROPRIETARY AND CONFIDENTIAL

THE INFORMATION CONTAINED IN THIS DRAWING IS THE SOLE PROPERTY OF EGLASS LLC. ANY REPRODUCTION IN PART OR AS A WHOLE WITHOUT THE WRITTEN PERMISSION OF EGLASS LLC IS PROHIBITED.