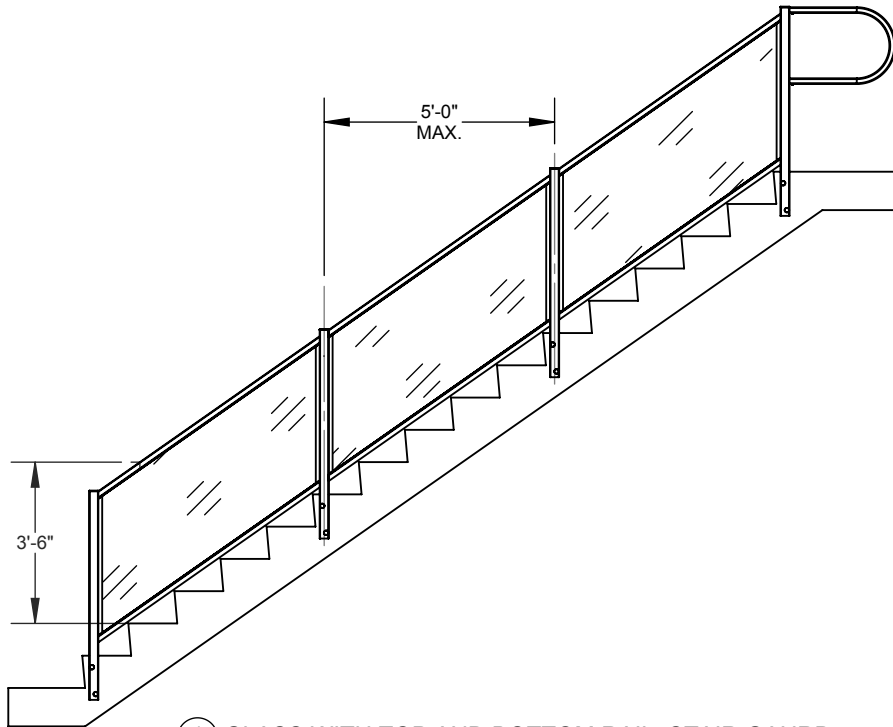


2

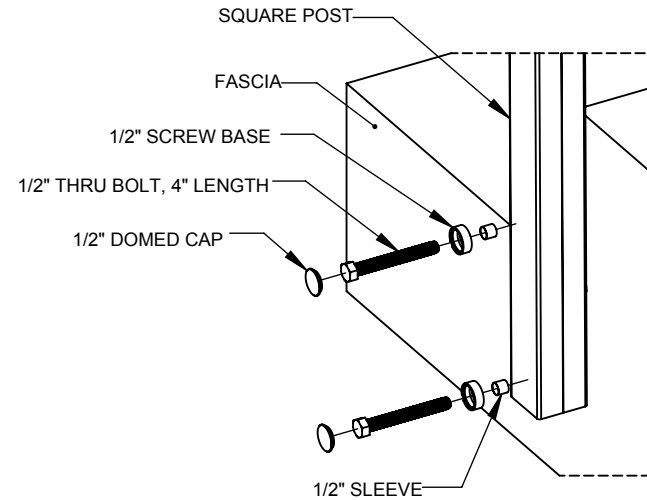
1

B

B



① GLASS WITH TOP AND BOTTOM RAIL, STAIR GAURD



② TYP. FASCIA MOUNTING CONNECTION

SCALE 1:8

A

A

eGlass Element™

PROPRIETARY AND CONFIDENTIAL

THE INFORMATION CONTAINED IN THIS DRAWING IS THE SOLE PROPERTY OF EGLASS LLC. ANY REPRODUCTION IN PART OR AS A WHOLE WITHOUT THE WRITTEN PERMISSION OF EGLASS LLC IS PROHIBITED.

NOTES: UNLESS OTHERWISE SPECIFIED

1. DIMENSIONS SHOWN - INCHES [MM].
2. MACHINED SURFACES TO BE 63µIN MAX.
3. PART TO BE FREE OF BURRS AND SHARP EDGES.
4. ALL MATERIAL TO BE CLEAN, DEGREASED AND FREE OF ALL IMPURITIES.
5. ANY CHANGE MUST BE AUTHORIZED BY AN EGLASS ENGINEER.

DIMENSIONS ARE IN INCHES
 FRACTIONAL ±
 ANGULAR: MACH ±
 TWO PLACE DECIMAL ±
 THREE PLACE DECIMAL ±

MATERIAL

FINISH

DO NOT SCALE DRAWING

| | | |
|-----------|------|----------|
| | NAME | DATE |
| DRAWN | V.P. | 12/11/18 |
| ENG APPR. | | |
| MFG APPR. | | |

COMMENTS:
 PURCHASER HAS THE FULL RESPONSIBILITY TO COMPLY WITH LOCAL, NATIONAL AND INTERNATIONAL BUILDING CODES. PURCHASER SHALL COMPLY IN ALL RESPECTS WITH ALL APPLICABLE LEGAL REQUIREMENTS GOVERNING THE DUTIES, OBLIGATIONS, AND BUSINESS PRACTICES OF THEIR LOCALITIES AND SHALL OBTAIN ANY PERMITS OR LICENSES NECESSARY FOR THEIR OPERATIONS.

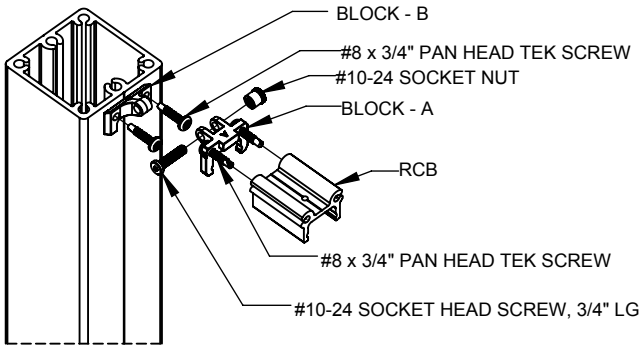


TITLE: **EGLASS ELEMENT, FASCIA MOUNT, NO BRACKET, STAIR GUARD, 42" RAILING SYSTEM**

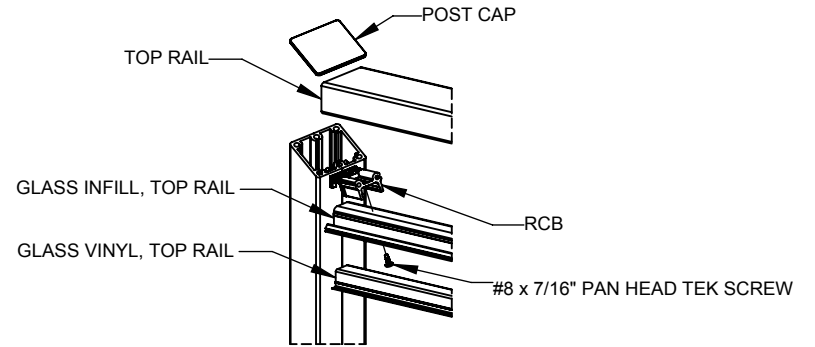
| | | |
|-------------|-------------------|--------------|
| SIZE | DWG. NO. | REV |
| A | CEFS-00-00 | 2 |
| SCALE: 1:50 | WEIGHT: | SHEET 1 OF 3 |

2

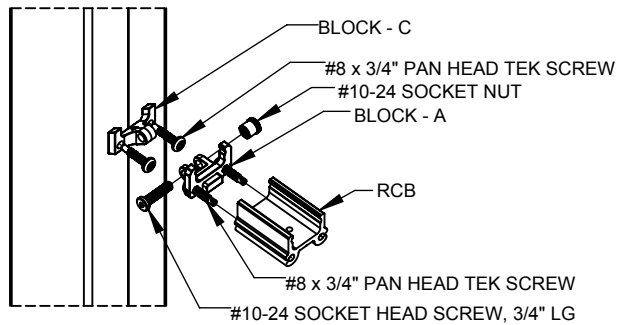
1



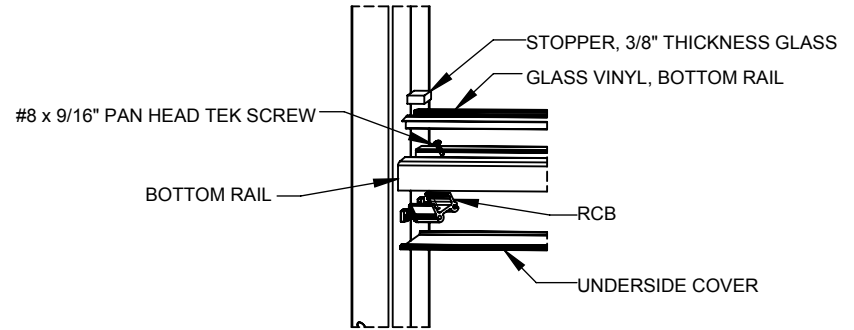
③ TYP. TOP RAIL HINGE JOINT CONNECTION



④ TYP. TOP RAIL CONNECTION
SCALE 1:8



⑤ TYP. BOTTOM RAIL HINGE JOINT CONNECTION



⑥ TYP. BOTTOM RAIL CONNECTION
SCALE 1:8

NOTES: UNLESS OTHERWISE SPECIFIED

1. DIMENSIONS SHOWN - INCHES [MM].
2. MACHINED SURFACES TO BE 63µIN MAX.
3. PART TO BE FREE OF BURRS AND SHARP EDGES.
4. ALL MATERIAL TO BE CLEAN, DEGREASED AND FREE OF ALL IMPURITIES.
5. ANY CHANGE MUST BE AUTHORIZED BY AN EGLASS ENGINEER.

DIMENSIONS ARE IN INCHES
FRACTIONAL ±
ANGULAR: MACH ±
TWO PLACE DECIMAL ±
THREE PLACE DECIMAL ±

MATERIAL

FINISH

DO NOT SCALE DRAWING

| | | |
|-----------|------|----------|
| | NAME | DATE |
| DRAWN | V.P. | 12/11/18 |
| ENG APPR. | | |
| MFG APPR. | | |

COMMENTS:
PURCHASER HAS THE FULL RESPONSIBILITY TO COMPLY WITH LOCAL, NATIONAL AND INTERNATIONAL BUILDING CODES. PURCHASER SHALL COMPLY IN ALL RESPECTS WITH ALL APPLICABLE LEGAL REQUIREMENTS GOVERNING THE DUTIES, OBLIGATIONS, AND BUSINESS PRACTICES OF THEIR LOCALITIES AND SHALL OBTAIN ANY PERMITS OR LICENSES NECESSARY FOR THEIR OPERATIONS.



TITLE: **EGLASS ELEMENT, FASCIA MOUNT, NO BRACKET, STAIR GUARD, 42" RAILING SYSTEM**

| | | |
|----------|-------------------|----------|
| SIZE | DWG. NO. | REV |
| A | CEFS-00-00 | 2 |

SCALE: 1:4 WEIGHT: SHEET 2 OF 3

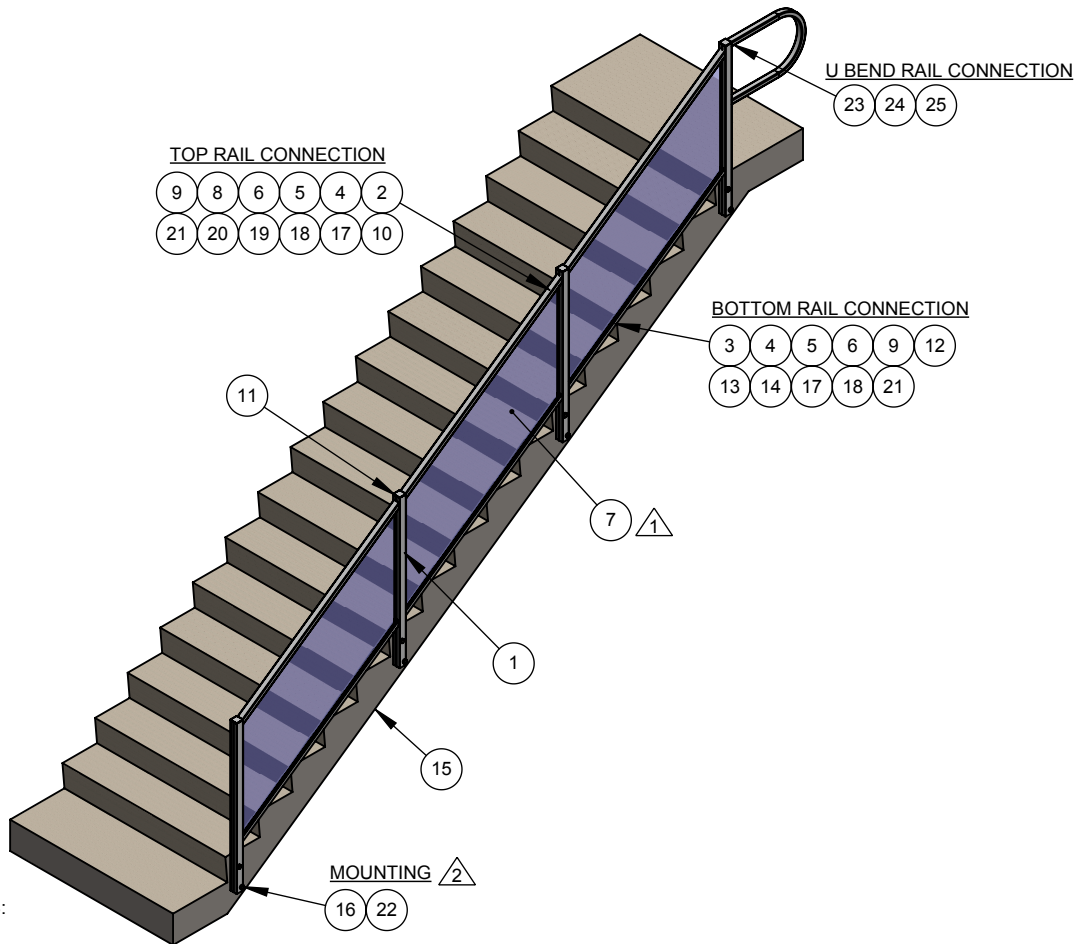
eGlass Element™

PROPRIETARY AND CONFIDENTIAL

THE INFORMATION CONTAINED IN THIS DRAWING IS THE SOLE PROPERTY OF EGLASS LLC. ANY REPRODUCTION IN PART OR AS A WHOLE WITHOUT THE WRITTEN PERMISSION OF EGLASS LLC IS PROHIBITED.

2

1



NOTES:

- ⚠️ DIFFERENT SIZES OF GLASS PANELS ARE AVAILABLE. REFER DWG NO: CAAS-G2-08 (1/4" THK) AND CAAS-G3-08 (3/8" THK).
- ⚠️ MOUNTING:

FOR CONCRETE:

- 1. STD-AC-02 (1/2" THRU BOLT, 4" LENGTH)

FOR WOOD:

- 1. STD-AC-04 (1/2" LAG SCREW 7" APART W/MIN 6" EMBED)

eGlass Element™

PROPRIETARY AND CONFIDENTIAL

THE INFORMATION CONTAINED IN THIS DRAWING IS THE SOLE PROPERTY OF EGLASS LLC. ANY REPRODUCTION IN PART OR AS A WHOLE WITHOUT THE WRITTEN PERMISSION OF EGLASS LLC IS PROHIBITED.

NOTES: UNLESS OTHERWISE SPECIFIED

- 1. DIMENSIONS SHOWN - INCHES [MM].
- 2. MACHINED SURFACES TO BE 63uIN MAX.
- 3. PART TO BE FREE OF BURRS AND SHARP EDGES.
- 4. ALL MATERIAL TO BE CLEAN, DEGREASED AND FREE OF ALL IMPURITIES.
- 5. ANY CHANGE MUST BE AUTHORIZED BY AN EGLASS ENGINEER.

DIMENSIONS ARE IN INCHES
 FRACTIONAL ±
 ANGULAR: MACH ±
 TWO PLACE DECIMAL ±
 THREE PLACE DECIMAL ±

MATERIAL

FINISH

DO NOT SCALE DRAWING

| | |
|-----------|----------|
| NAME | DATE |
| V.P. | 12/11/18 |
| DRAWN | |
| ENG APPR. | |
| MFG APPR. | |

COMMENTS:
 PURCHASER HAS THE FULL RESPONSIBILITY TO COMPLY WITH LOCAL, NATIONAL AND INTERNATIONAL BUILDING CODES. PURCHASER SHALL COMPLY IN ALL RESPECTS WITH ALL APPLICABLE LEGAL REQUIREMENTS GOVERNING THE DUTIES, OBLIGATIONS, AND BUSINESS PRACTICES OF THEIR LOCALITIES AND SHALL OBTAIN ANY PERMITS OR LICENSES NECESSARY FOR THEIR OPERATIONS.

BILL OF MATERIAL TABLE

| ITEM NO. | PART NUMBER | DESCRIPTION | QTY. |
|----------|-------------|---|----------|
| 1 | AAFA-SP-56 | SQUARE POST, LONG BLANK, (2 3/8" x 2 3/8" x 1/8" x 56") | AS REQD. |
| 2 | 800S-TR-01 | 800 SERIES, TOP RAIL (2" x 1 1/2" x 1/8"), 20' LENGTH | AS REQD. |
| 3 | AAAA-BR-01 | BOTTOM RAIL (1 3/8" x 1 1/2" x 1/8"), 20' LENGTH | AS REQD. |
| 4 | AAAA-RC-01 | RCB, 1.5" PRE-CUT | AS REQD. |
| 5 | AAAS-HJ-03 | BLOCK - C | AS REQD. |
| 6 | AAAS-HJ-02 | BLOCK - A | AS REQD. |
| 7 | CAAS-G3-08 | 3/8" TEMPERED GLASS, STAIR GUARD RAILING | AS REQD. |
| 8 | AEAA-TI-01 | EGLASS ELEMENT, INFILL, TOP RAIL, 20' LENGTH | AS REQD. |
| 9 | AAAS-HJ-01 | BLOCK - B | AS REQD. |
| 10 | AAAA-TV-31 | GLASS VINYL, TOP RAIL, 3/8" THICK GLASS, 5' LENGTH | AS REQD. |
| 11 | AAAA-PC-01 | POST CAP, 2 3/8" SQUARE POST | AS REQD. |
| 12 | AAAA-BV-31 | GLASS VINYL, BOTTOM RAIL, 3/8" THICK GLASS, 5' LENGTH | AS REQD. |
| 13 | AAAA-UC-01 | BOTTOM RAIL, UNDERSIDE COVER, 20' LENGTH | AS REQD. |
| 14 | AAAA-ST-31 | STOPPER, 3/8" THICKNESS GLASS | AS REQD. |
| 15 | STD-DK-03 | STEPS - CONCRETE | AS REQD. |
| 16 | STD-AC-02 | 1/2" THRU BOLT, 4" LENGTH | AS REQD. |
| 17 | STD-NT-03 | #10-24 SOCKET NUT | AS REQD. |
| 18 | STD-SC-02 | #8 x 9/16" PAN HEAD TEK SCREW | AS REQD. |
| 19 | STD-SC-11 | #8 x 7/16" PAN HEAD TEK SCREW | AS REQD. |
| 20 | STD-SC-12 | #8 x 3/4" PAN HEAD TEK SCREW | AS REQD. |
| 21 | STD-SC-13 | #10-24 SOCKET HEAD SCREW, 3/4" LG | AS REQD. |
| 22 | STD-SW-10 | 1/2" SCREW COVER | AS REQD. |
| 23 | AAAS-LB-01 | L-BRACKET | AS REQD. |
| 24 | STD-SC-03 | #10 x 3/4" PAN HEAD TEK SCREW | AS REQD. |
| 25 | AAAS-UB-02 | U-BEND RAIL, 2" TOP RAIL | AS REQD. |



TITLE: EGLASS ELEMENT, FASCIA MOUNT, NO BRACKET, STAIR GUARD, 42" RAILING SYSTEM

| | | |
|-------------|-------------------|--------------|
| SIZE | DWG. NO. | REV |
| A | CEFS-00-00 | 2 |
| SCALE: 1:50 | WEIGHT: | SHEET 3 OF 3 |

2

1