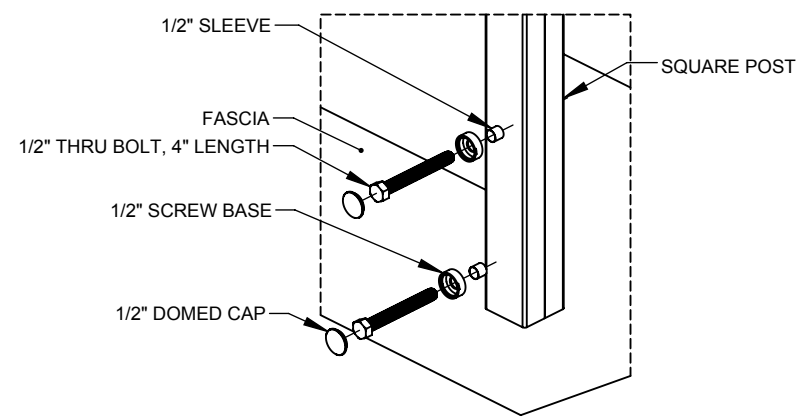
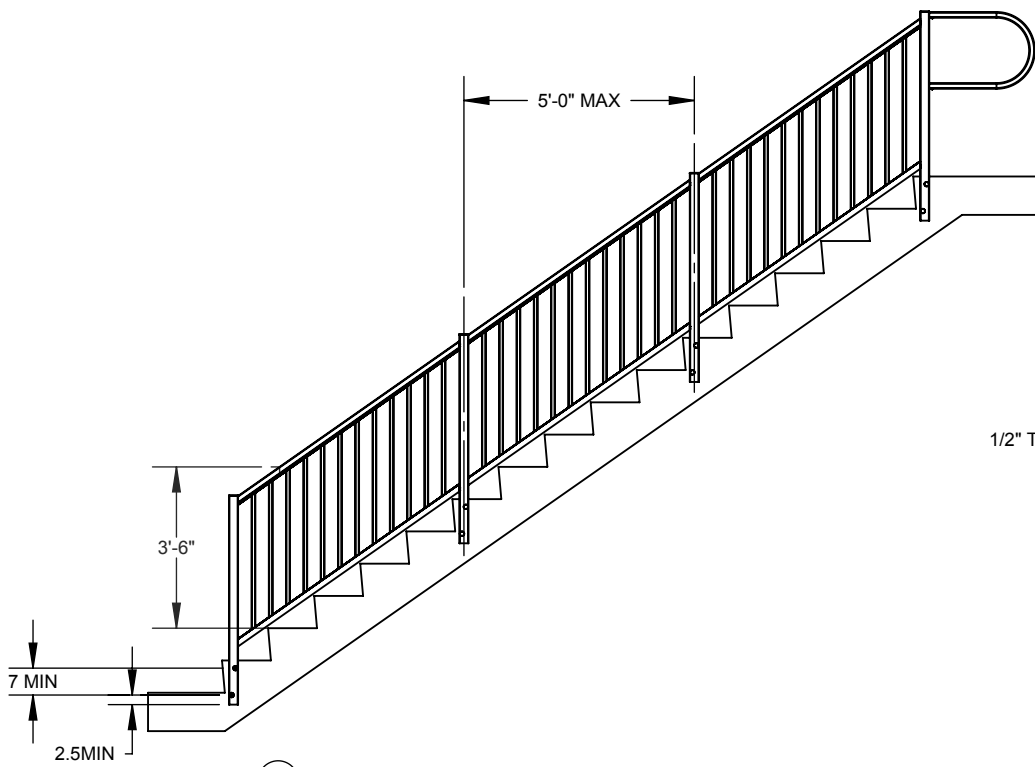


2

1

B

B



① EGLASS PICKET, FASCIA MOUNT, NO BRACKET, STAIR GUARD

② TYP. POST TO DECK CONNECTION  
SCALE 1 : 8

A

A

eGlass Picket™

PROPRIETARY AND CONFIDENTIAL

THE INFORMATION CONTAINED IN THIS DRAWING IS THE SOLE PROPERTY OF EGLASS LLC. ANY REPRODUCTION IN PART OR AS A WHOLE WITHOUT THE WRITTEN PERMISSION OF EGLASS LLC IS PROHIBITED.

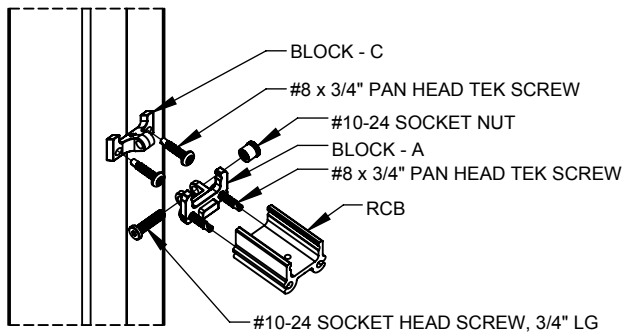
NOTES: UNLESS OTHERWISE SPECIFIED		NAME	DATE	eGLASS RAILING™	
1. DIMENSIONS SHOWN - INCHES [MM]. 2. MACHINED SURFACES TO BE 63µIN MAX. 3. PART TO BE FREE OF BURRS AND SHARP EDGES. 4. ALL MATERIAL TO BE CLEAN, DEGREASED AND FREE OF ALL IMPURITIES. 5. ANY CHANGE MUST BE AUTHORIZED BY AN EGLASS ENGINEER.	DIMENSIONS ARE IN INCHES	DRAWN	V.P.	TITLE: EGLASS PICKET, FASCIA MOUNT, NO BRACKET, STAIR GUARD, 42" RAILING SYSTEM	
	FRACTIONAL ±	ENG APPR.		SIZE	DWG. NO.
	ANGULAR: MACH ±	MFG APPR.		<b>A</b>	<b>CMFS-00-00</b>
	TWO PLACE DECIMAL ±	COMMENTS:	PURCHASER HAS THE FULL RESPONSIBILITY TO COMPLY WITH LOCAL, NATIONAL AND INTERNATIONAL BUILDING CODES. PURCHASER SHALL COMPLY IN ALL RESPECTS WITH ALL APPLICABLE LEGAL REQUIREMENTS GOVERNING THE DUTIES, OBLIGATIONS, AND BUSINESS PRACTICES OF THEIR LOCALITIES AND SHALL OBTAIN ANY PERMITS OR LICENSES NECESSARY FOR THEIR OPERATIONS.		
	THREE PLACE DECIMAL ±		REV	<b>2</b>	
MATERIAL		SCALE: 1:50	WEIGHT:	SHEET 1 OF 3	
FINISH	DO NOT SCALE DRAWING				

2

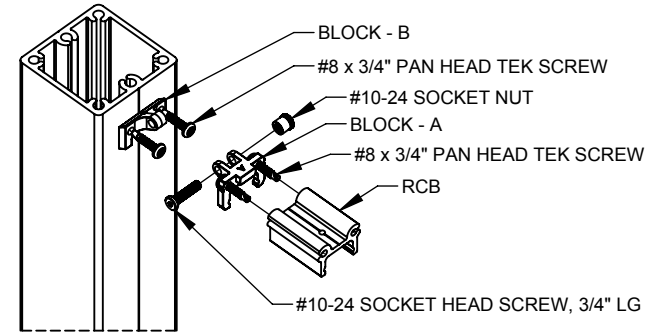
1

2

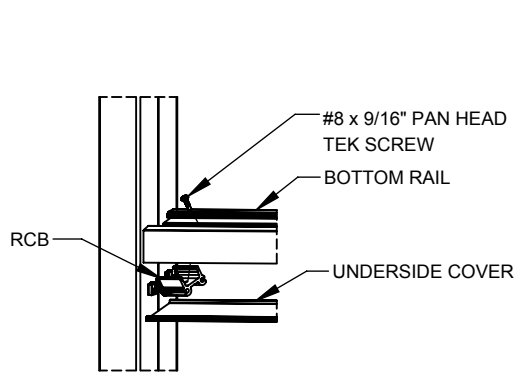
1



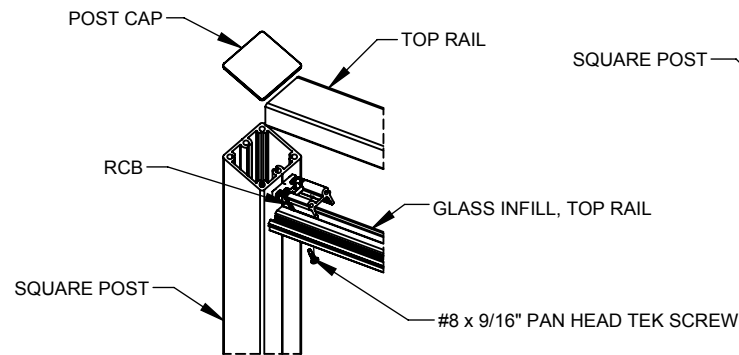
3 TYP. BOTTOM RAIL HINGE JOINT CONNECTION  
SCALE 1 : 4



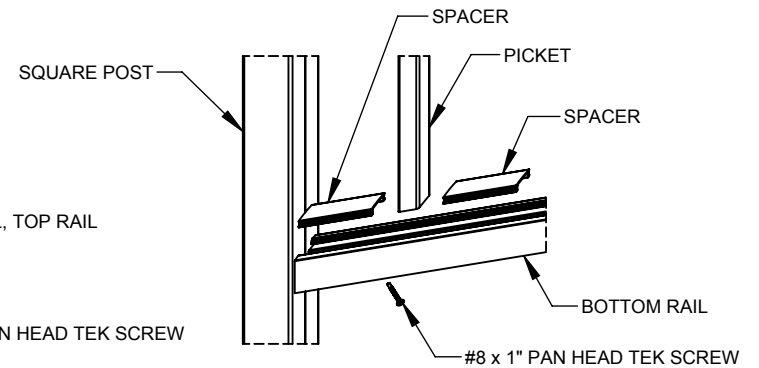
4 TYP. TOP RAIL HINGE JOINT CONNECTION  
SCALE 1 : 4



5 TYP. BOTTOM RAIL CONNECTION



6 TYP. TOP RAIL CONNECTION



7 TYP. PICKET AND SPACER INSTALLATION

B

B

A

A

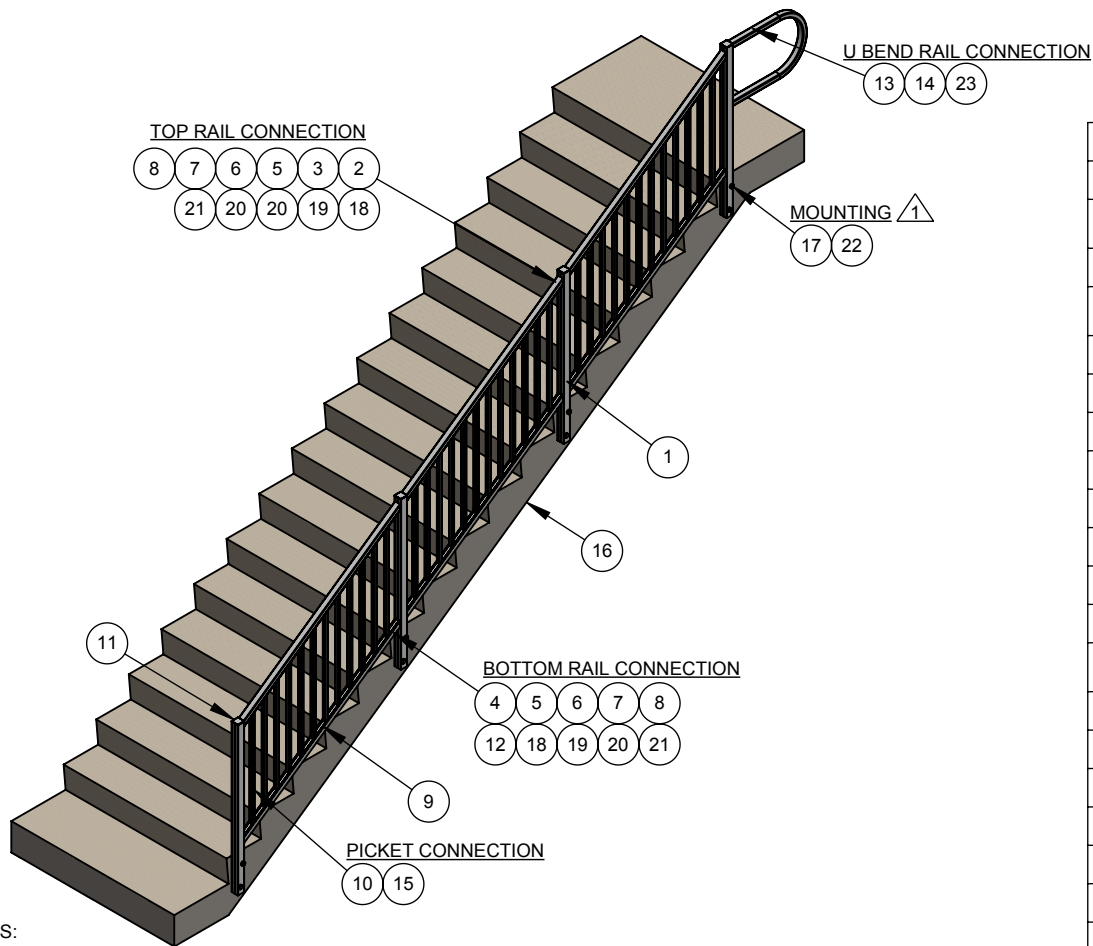
NOTES: UNLESS OTHERWISE SPECIFIED		NAME	DATE	eGLASS RAILING™	
<p><b>eGlass Picket™</b></p> <p>PROPRIETARY AND CONFIDENTIAL</p> <p>THE INFORMATION CONTAINED IN THIS DRAWING IS THE SOLE PROPERTY OF EGLASS LLC. ANY REPRODUCTION IN PART OR AS A WHOLE WITHOUT THE WRITTEN PERMISSION OF EGLASS LLC IS PROHIBITED.</p>	<p>1. DIMENSIONS SHOWN - INCHES [MM].</p> <p>2. MACHINED SURFACES TO BE 63µIN MAX.</p> <p>3. PART TO BE FREE OF BURRS AND SHARP EDGES.</p> <p>4. ALL MATERIAL TO BE CLEAN, DEGREASED AND FREE OF ALL IMPURITIES.</p> <p>5. ANY CHANGE MUST BE AUTHORIZED BY AN EGLASS ENGINEER.</p>	<p>DRAWN</p> <p>ENG APPR.</p> <p>MFG APPR.</p>	<p>V.P.</p>	<p>12/11/18</p>	<p>TITLE: <b>EGLASS PICKET, FASCIA MOUNT, NO BRACKET, STAIR GUARD, 42" RAILING SYSTEM</b></p> <p>SIZE: <b>A</b> DWG. NO.: <b>CMFS-00-00</b> REV: <b>2</b></p> <p>SCALE: 1:8 WEIGHT: SHEET 2 OF 3</p>
	<p>DIMENSIONS ARE IN INCHES</p> <p>FRACTIONAL ±</p> <p>ANGULAR: MACH ±</p> <p>TWO PLACE DECIMAL ±</p> <p>THREE PLACE DECIMAL ±</p>	<p>COMMENTS:</p> <p>PURCHASER HAS THE FULL RESPONSIBILITY TO COMPLY WITH LOCAL, NATIONAL AND INTERNATIONAL BUILDING CODES. PURCHASER SHALL COMPLY IN ALL RESPECTS WITH ALL APPLICABLE LEGAL REQUIREMENTS GOVERNING THE DUTIES, OBLIGATIONS, AND BUSINESS PRACTICES OF THEIR LOCALITIES AND SHALL OBTAIN ANY PERMITS OR LICENSES NECESSARY FOR THEIR OPERATIONS.</p>			
	MATERIAL				
	FINISH				
DO NOT SCALE DRAWING					

2

1

2

1



NOTES:

- 1.** MOUNTING:  
**FOR CONCRETE:**  
 1. STD-AC-02 (1/2" THRU BOLT, 4" LENGTH)  
**FOR WOOD:**  
 1. STD-AC-04 (1/2" LAG SCREW 7" APART W/MIN 6" EMBED)

eGlass Picket™

PROPRIETARY AND CONFIDENTIAL

THE INFORMATION CONTAINED IN THIS DRAWING IS THE SOLE PROPERTY OF EGLASS LLC. ANY REPRODUCTION IN PART OR AS A WHOLE WITHOUT THE WRITTEN PERMISSION OF EGLASS LLC IS PROHIBITED.

NOTES: UNLESS OTHERWISE SPECIFIED	
1. DIMENSIONS SHOWN - INCHES [MM].	DIMENSIONS ARE IN INCHES
2. MACHINED SURFACES TO BE 63uIN MAX.	FRACTIONAL ±
3. PART TO BE FREE OF BURRS AND SHARP EDGES.	ANGULAR: MACH ±
4. ALL MATERIAL TO BE CLEAN, DEGREASED AND FREE OF ALL IMPURITIES.	TWO PLACE DECIMAL ±
5. ANY CHANGE MUST BE AUTHORIZED BY AN EGLASS ENGINEER.	THREE PLACE DECIMAL ±
	MATERIAL
	FINISH
	DO NOT SCALE DRAWING

NAME	DATE
V.P.	12/11/18
DRAWN	
ENG APPR.	
MFG APPR.	
COMMENTS: PURCHASER HAS THE FULL RESPONSIBILITY TO COMPLY WITH LOCAL, NATIONAL AND INTERNATIONAL BUILDING CODES. PURCHASER SHALL COMPLY IN ALL RESPECTS WITH ALL APPLICABLE LEGAL REQUIREMENTS GOVERNING THE DUTIES, OBLIGATIONS, AND BUSINESS PRACTICES OF THEIR LOCALITIES AND SHALL OBTAIN ANY PERMITS OR LICENSES NECESSARY FOR THEIR OPERATIONS.	

BILL OF MATERIAL TABLE			
ITEM NO.	PART NUMBER	DESCRIPTION	QTY.
1	AAFA-SP-56	SQUARE POST, LONG BLANK, (2 3/8" x 2 3/8" x 1/8" x 56")	AS REQD.
2	800S-TR-01	800 SERIES, TOP RAIL (2" x 1 1/2" x 1/8"), 20' LENGTH	AS REQD.
3	AMAS-TI-01	EGLASS PICKET, INFILL, TOP RAIL (2" x 1 1/2" x 1/8"), 20' LENGTH	AS REQD.
4	APAS-BR-01	EGLASS PICKET, BOTTOM RAIL, 20' LENGTH	AS REQD.
5	AAAS-HJ-03	BLOCK - C	AS REQD.
6	AAAS-HJ-02	BLOCK - A	AS REQD.
7	AAAA-RC-01	RCB, 1.5" PRE-CUT	AS REQD.
8	AAAS-HJ-01	BLOCK - B	AS REQD.
9	APAS-SR-01	EGLASS PICKET, SPACER	AS REQD.
10	APAS-PK-01	PICKET (1" x 1"), 37.5" LENGTH	AS REQD.
11	AAAA-PC-01	POST CAP, 2 3/8" SQUARE POST	AS REQD.
12	APAS-UC-01	EGLASS PICKET, BOTTOM RAIL, UNDERSIDE COVER, 20' LENGTH	AS REQD.
13	AAAS-UB-02	U-BEND RAIL, 2" TOP RAIL	AS REQD.
14	AAAS-LB-01	L-BRACKET	AS REQD.
15	STD-SC-15	#8 x 1" PAN HEAD TEK SCREW	AS REQD.
16	STD-DK-03	STEPS - CONCRETE	AS REQD.
17	STD-AC-02	1/2" THRU BOLT, 4" LENGTH	AS REQD.
18	STD-NT-03	#10-24 SOCKET NUT	AS REQD.
19	STD-SC-02	#8 x 9/16" PAN HEAD TEK SCREW	AS REQD.
20	STD-SC-12	#8 x 3/4" PAN HEAD TEK SCREW	AS REQD.
21	STD-SC-13	#10-24 SOCKET HEAD SCREW, 3/4" LG	AS REQD.
22	STD-SW-10	1/2" SCREW COVER	AS REQD.
23	STD-SC-03	#10 x 3/4" PAN HEAD TEK SCREW	AS REQD.

<b>eGLASS RAILING™</b>		
TITLE: <b>EGLASS PICKET, FASCIA MOUNT, NO BRACKET, STAIR GUARD, 42" RAILING SYSTEM</b>		
SIZE: <b>A</b>	DWG. NO.: <b>CMFS-00-00</b>	REV: <b>2</b>
SCALE: 1:50	WEIGHT:	SHEET 3 OF 3

2

1