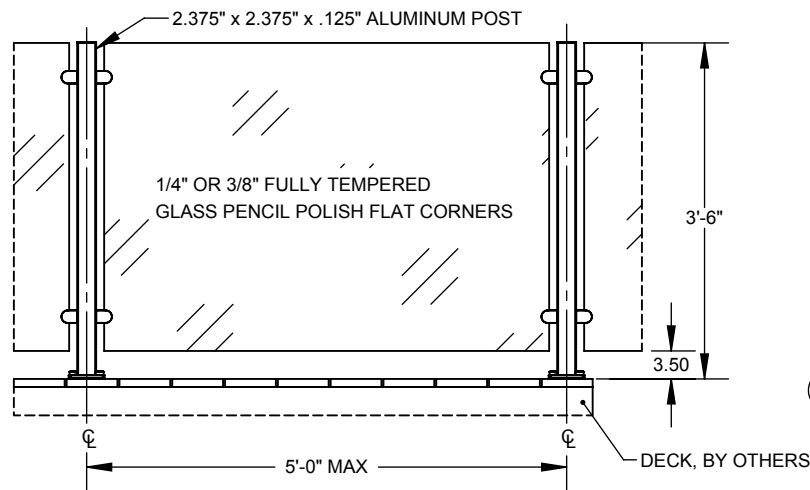
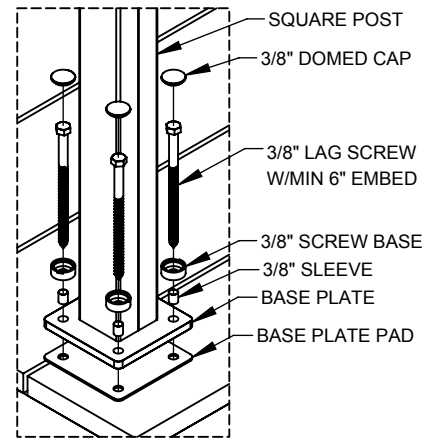


2

1

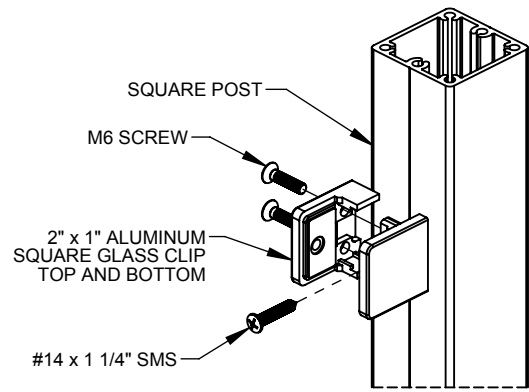


2 TYP. BASE PLATE TO POST
SCALE 1:8

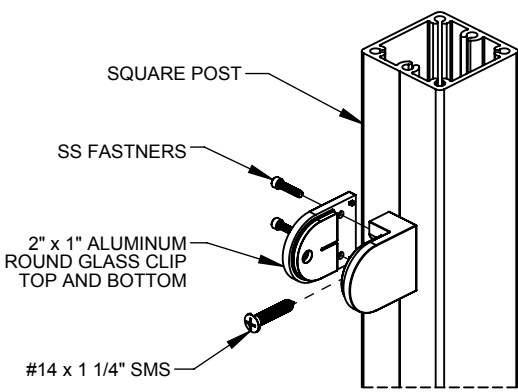


3 TYP. DECK MOUNTING CONNECTION
SCALE 1:8

1 GLASS WITHOUT TOP & BOTTOM RAIL, DECK MOUNT

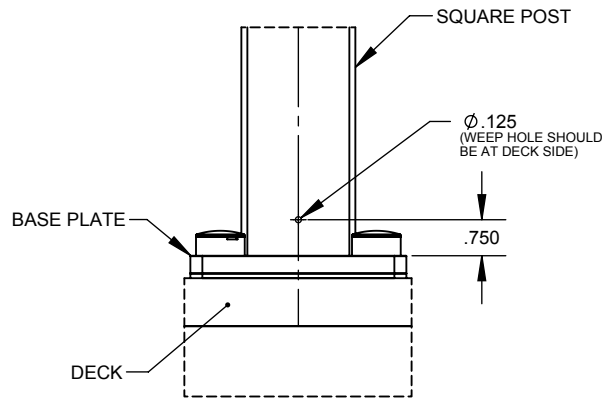


OPTION -1
SCALE 1:4



OPTION -2
SCALE 1:4

4 POST-CLIP CONNECTION



5 TYP. WEEP HOLE
SCALE 1:4

eGlass Vision™

PROPRIETARY AND CONFIDENTIAL

THE INFORMATION CONTAINED IN THIS DRAWING IS THE SOLE PROPERTY OF EGLASS LLC. ANY REPRODUCTION IN PART OR AS A WHOLE WITHOUT THE WRITTEN PERMISSION OF EGLASS LLC IS PROHIBITED.

NOTES: UNLESS OTHERWISE SPECIFIED

1. DIMENSIONS SHOWN - INCHES [MM].
2. MACHINED SURFACES TO BE 63uIN MAX.
3. PART TO BE FREE OF BURRS AND SHARP EDGES.
4. ALL MATERIAL TO BE CLEAN, DEGREASED AND FREE OF ALL IMPURITIES.
5. ANY CHANGE MUST BE AUTHORIZED BY AN EGLASS ENGINEER.

DIMENSIONS ARE IN INCHES	FRACTIONAL	±
	ANGULAR: MACH	±
	TWO PLACE DECIMAL	±
	THREE PLACE DECIMAL	±
MATERIAL		
FINISH		
DO NOT SCALE DRAWING		

NAME	DATE
V.P.	09/25/18
DRAWN	
ENG APPR.	
MFG APPR.	
COMMENTS:	
PURCHASER HAS THE FULL RESPONSIBILITY TO COMPLY WITH LOCAL, NATIONAL AND INTERNATIONAL BUILDING CODES. PURCHASER SHALL COMPLY IN ALL RESPECTS WITH ALL APPLICABLE LEGAL REQUIREMENTS GOVERNING THE DUTIES, OBLIGATIONS, AND BUSINESS PRACTICES OF THEIR LOCALITIES AND SHALL OBTAIN ANY PERMITS OR LICENSES NECESSARY FOR THEIR OPERATIONS.	



TITLE:
EGLASS VISION, DECK MOUNT, FLAT DECK, 42" RAILING SYSTEM

SIZE	DWG. NO.	REV
A	CVDF-00-00	1
SCALE: 1:24	WEIGHT:	SHEET 1 OF 2

2

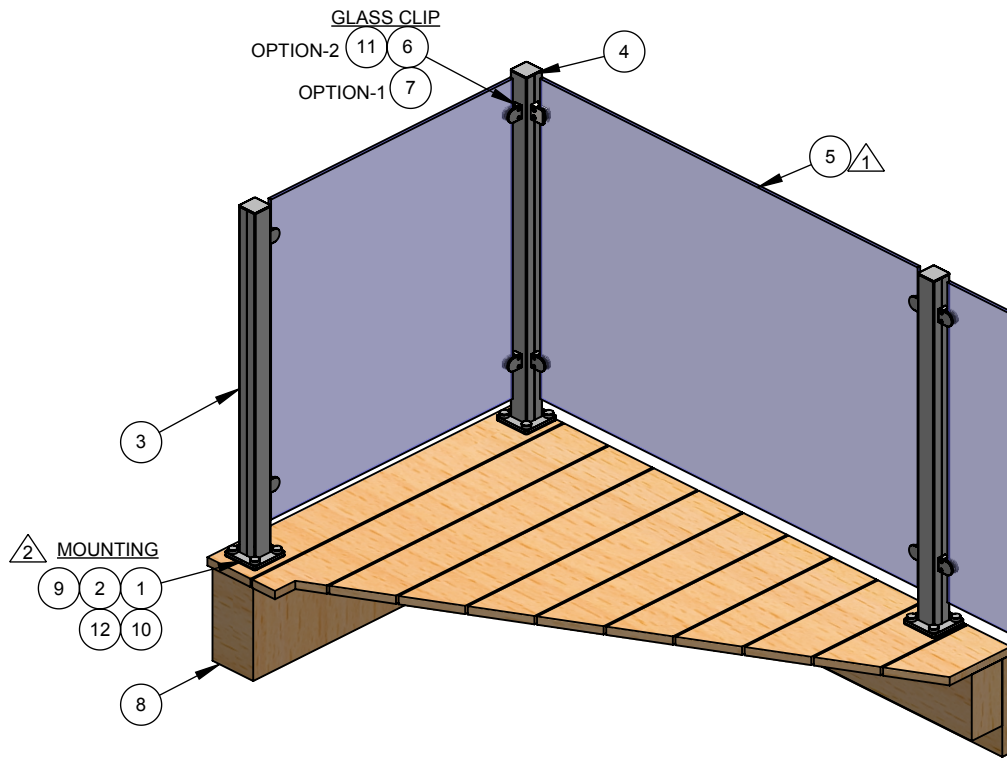
1

2

1

B

B



NOTES:

- 1. DIFFERENT SIZES OF GLASS PANELS ARE AVAILABLE. REFER DWG NO: CAAF-G2-08 (1/4" THK) AND CAAF-G3-08 (3/8" THK).
- 2. MOUNTING:
 - FOR CONCRETE:
 - 1. STD-AC-01 (3/8" THRU BOLT, 4" LENGTH)
 - FOR WOOD:
 - 1. STD-AC-03 (3/8" LAG SCREW W/MIN 6" EMBED)

BILL OF MATERIAL TABLE			
ITEM NO.	PART NUMBER	DESCRIPTION	QTY.
1	RADA-BP-01	BASE PLATE, 36" HEIGHT SQUARE POST	AS REQD.
2	RADA-PD-01	BASE PLATE PAD, SQUARE POST	AS REQD.
3	AAAA-SP-48	SQUARE POST, MEDIUM BLANK, (2 3/8" x 2 3/8" x 1/8" x 48")	AS REQD.
4	AAAA-PC-01	POST CAP, 2 3/8" SQUARE POST	AS REQD.
5	CAAF-G3-56	3/8" TEMPERED GLASS, DECK RAILING	AS REQD.
6	AVAA-GC-00	GLASS CLIP, ROUND	AS REQD.
7	AVAA-GC-20	FLAT SQUARE GLASS CLAMP	AS REQD.
8	STD-DK-02	DECK WOOD (OR) CONCRETE	AS REQD.
9	STD-AC-03	3/8" LAG SCREW W/MIN 6" EMBED	AS REQD.
10	STD-SC-05	1/4"-20 x 1 1/4" FLAT HEAD TF SCREW	AS REQD.
11	STD-SC-07	#14 x 1 1/4" SMS	AS REQD.
12	STD-SW-00	3/8" SCREW COVER	AS REQD.

A

A

eGlass Vision™

PROPRIETARY AND CONFIDENTIAL

THE INFORMATION CONTAINED IN THIS DRAWING IS THE SOLE PROPERTY OF EGLASS LLC. ANY REPRODUCTION IN PART OR AS A WHOLE WITHOUT THE WRITTEN PERMISSION OF EGLASS LLC IS PROHIBITED.

NOTES: UNLESS OTHERWISE SPECIFIED		NAME	DATE		
1. DIMENSIONS SHOWN - INCHES [MM]. 2. MACHINED SURFACES TO BE 63µIN MAX. 3. PART TO BE FREE OF BURRS AND SHARP EDGES. 4. ALL MATERIAL TO BE CLEAN, DEGREASED AND FREE OF ALL IMPURITIES. 5. ANY CHANGE MUST BE AUTHORIZED BY AN EGLASS ENGINEER.	DIMENSIONS ARE IN INCHES	DRAWN	V.P.	09/25/18	
	FRACTIONAL ±	ENG APPR.			
	ANGULAR: MACH ±	MFG APPR.			
	TWO PLACE DECIMAL ±	COMMENTS:			
MATERIAL	PURCHASER HAS THE FULL RESPONSIBILITY TO COMPLY WITH LOCAL, NATIONAL AND INTERNATIONAL BUILDING CODES. PURCHASER SHALL COMPLY IN ALL RESPECTS WITH ALL APPLICABLE LEGAL REQUIREMENTS GOVERNING THE DUTIES, OBLIGATIONS, AND BUSINESS PRACTICES OF THEIR LOCALITIES AND SHALL OBTAIN ANY PERMITS OR LICENSES NECESSARY FOR THEIR OPERATIONS.				
FINISH	TITLE:		EGLASS VISION, DECK MOUNT, FLAT DECK, 42" RAILING SYSTEM		
DO NOT SCALE DRAWING	SIZE	DWG. NO.	REV		
	A	CVDF-00-00	1		
	SCALE: 1:24	WEIGHT:	SHEET 2 OF 2		

2

1