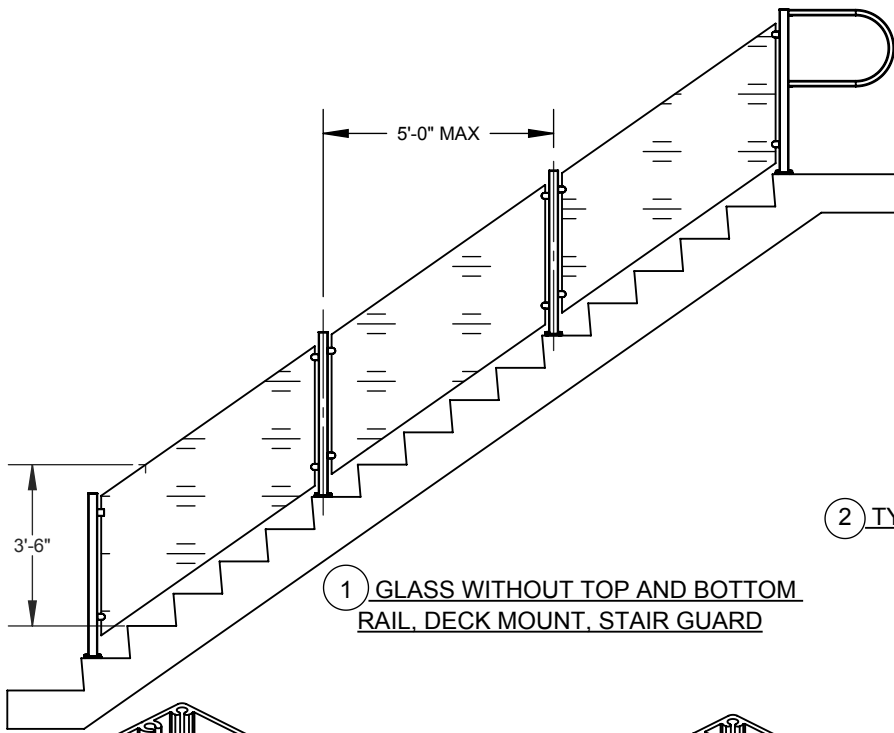


2

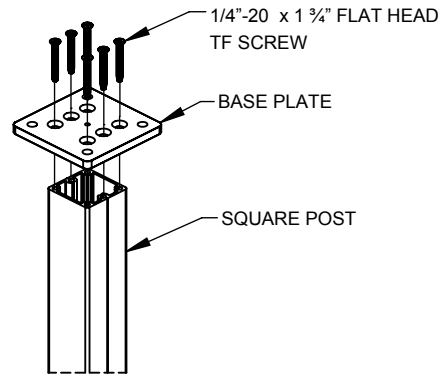
1

B

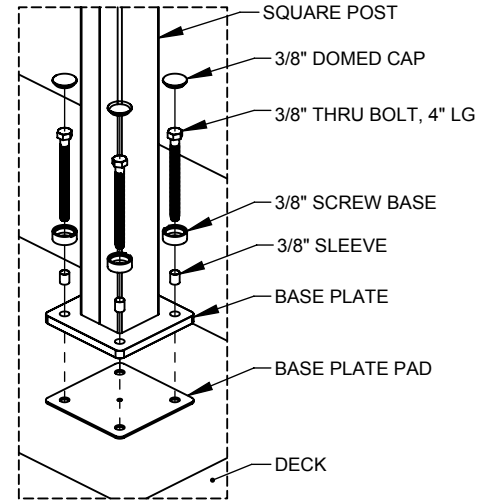
B



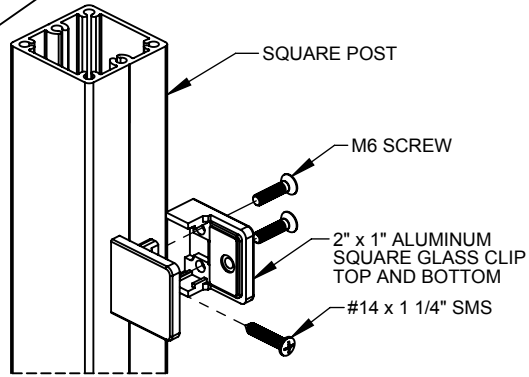
1 GLASS WITHOUT TOP AND BOTTOM RAIL, DECK MOUNT, STAIR GUARD



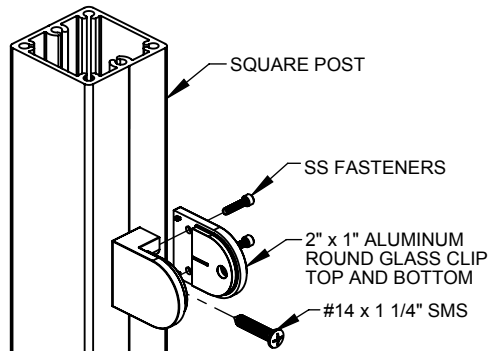
2 TYP. BASE PLATE TO POST
SCALE 1:8



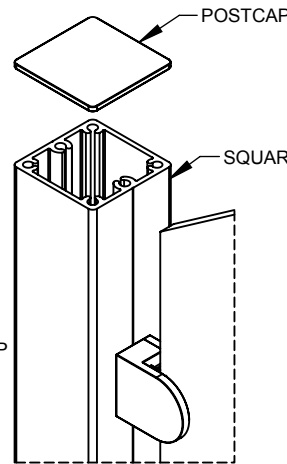
3 TYP. DECK MOUNTING CONNECTION
SCALE 1:8



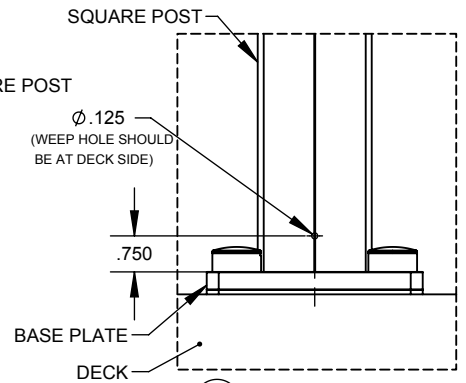
OPTION-1 SCALE 1:4
4 POST-CLIP CONNECTION



OPTION-2 SCALE 1:4



5 TYP. POSTCAP TO SQUARE POST
SCALE 1:4



6 TYP. WEEP HOLE
SCALE 1:4

A

A

eGlass Vision™

PROPRIETARY AND CONFIDENTIAL

THE INFORMATION CONTAINED IN THIS DRAWING IS THE SOLE PROPERTY OF EGLASS LLC. ANY REPRODUCTION IN PART OR AS A WHOLE WITHOUT THE WRITTEN PERMISSION OF EGLASS LLC IS PROHIBITED.

NOTES: UNLESS OTHERWISE SPECIFIED

- DIMENSIONS SHOWN - INCHES [MM].
- MACHINED SURFACES TO BE 63uIN MAX.
- PART TO BE FREE OF BURRS AND SHARP EDGES.
- ALL MATERIAL TO BE CLEAN, DEGREASED AND FREE OF ALL IMPURITIES.
- ANY CHANGE MUST BE AUTHORIZED BY AN EGLASS ENGINEER.

DIMENSIONS ARE IN INCHES
FRACTIONAL ±
ANGULAR: MACH ±
TWO PLACE DECIMAL ±
THREE PLACE DECIMAL ±

MATERIAL

FINISH

DO NOT SCALE DRAWING

NAME	DATE
V.P.	12/11/18
DRAWN	
ENG APPR.	
MFG APPR.	

COMMENTS:
PURCHASER HAS THE FULL RESPONSIBILITY TO COMPLY WITH LOCAL, NATIONAL AND INTERNATIONAL BUILDING CODES. PURCHASER SHALL COMPLY IN ALL RESPECTS WITH ALL APPLICABLE LEGAL REQUIREMENTS GOVERNING THE DUTIES, OBLIGATIONS, AND BUSINESS PRACTICES OF THEIR LOCALITIES AND SHALL OBTAIN ANY PERMITS OR LICENSES NECESSARY FOR THEIR OPERATIONS.



TITLE: **EGLASS VISION, DECK MOUNT, STAIR GUARD, 42" RAILING SYSTEM**

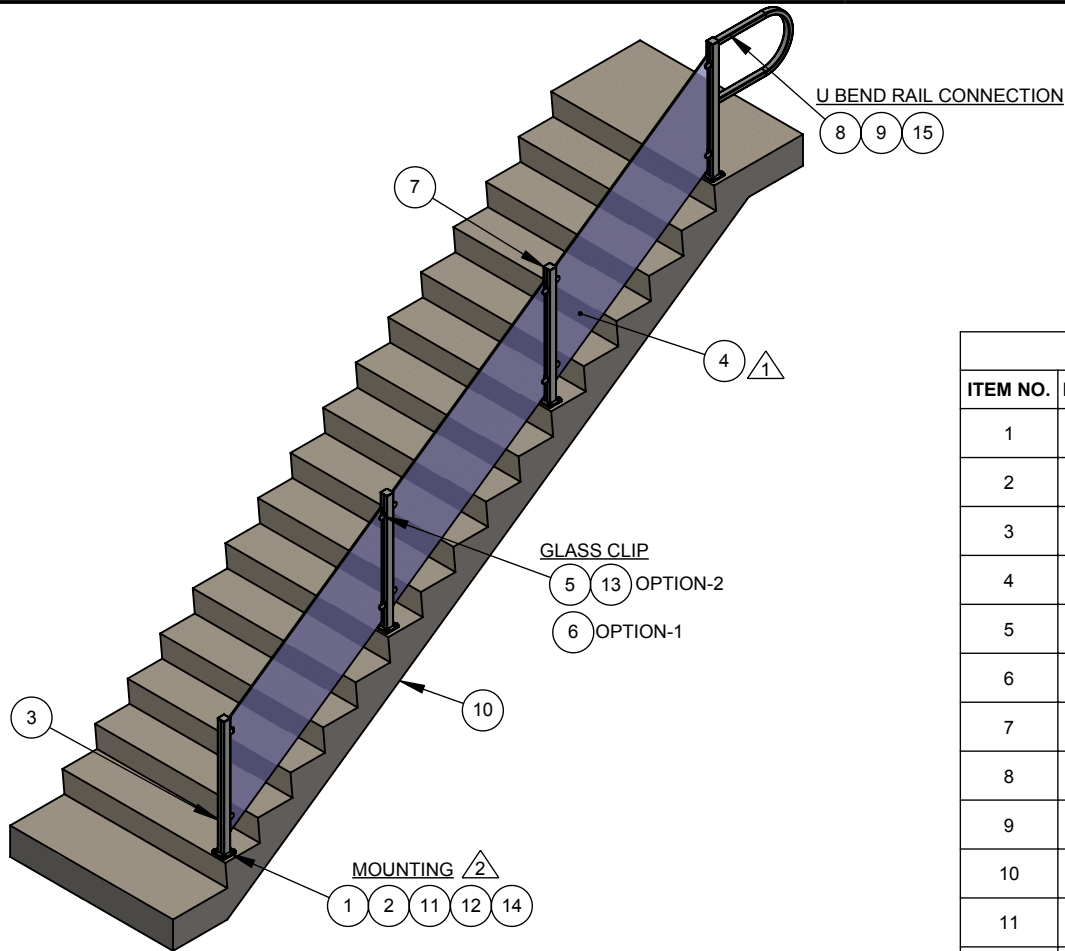
SIZE	DWG. NO.	REV
A	CVDS-00-00	2
SCALE: 1:50	WEIGHT:	SHEET 1 OF 2

2

1

2

1



NOTES:

- 1. DIFFERENT SIZES OF GLASS PANELS ARE AVAILABLE. REFER DWG NO: CAAS-G2-08 (1/4" THK) AND CAAS-G3-08 (3/8" THK).

2. MOUNTING:

FOR CONCRETE:

- 1. STD-AC-01 (3/8" THRU BOLT, 4" LENGTH)

FOR WOOD:

- 1. STD-AC-03 (3/8" LAG SCREW W/MIN 6" EMBED)

BILL OF MATERIAL TABLE			
ITEM NO.	PART NUMBER	DESCRIPTION	QTY.
1	RADA-BP-01	BASE PLATE, 36" HEIGHT SQUARE POST	AS REQD.
2	RADA-PD-01	BASE PLATE PAD, SQUARE POST	AS REQD.
3	AAAA-SP-48	SQUARE POST, MEDIUM BLANK, (2 3/8" x 2 3/8" x 1/8" x 48")	AS REQD.
4	CAAS-G3-08	3/8" TEMPERED GLASS, STAIR GUARD RAILING	AS REQD.
5	AVAA-GC-00	GLASS CLIP, ROUND	AS REQD.
6	AVAA-GC-20	FLAT SQUARE GLASS CLAMP	AS REQD.
7	AAAA-PC-01	POST CAP, 2 3/8" SQUARE POST	AS REQD.
8	AAAS-UB-02	U-BEND RAIL, 2" TOP RAIL	AS REQD.
9	AAAS-LB-01	L-BRACKET	AS REQD.
10	STD-DK-03	STEPS - CONCRETE	AS REQD.
11	STD-AC-01	3/8" THRU BOLT, 4" LG	AS REQD.
12	STD-SC-05	1/4"-20 x 1 1/4" FLAT HEAD TF SCREW	AS REQD.
13	STD-SC-07	#14 x 1 1/4" SMS	AS REQD.
14	STD-SW-00	3/8" SCREW COVER	AS REQD.
15	STD-SC-03	#10 x 3/4" PAN HEAD TEK SCREW	AS REQD.

NOTES: UNLESS OTHERWISE SPECIFIED	
1. DIMENSIONS SHOWN - INCHES [MM].	DIMENSIONS ARE IN INCHES
2. MACHINED SURFACES TO BE 63µIN MAX.	FRACTIONAL ±
3. PART TO BE FREE OF BURRS AND SHARP EDGES.	ANGULAR: MACH ±
4. ALL MATERIAL TO BE CLEAN, DEGREASED AND FREE OF ALL IMPURITIES.	TWO PLACE DECIMAL ±
5. ANY CHANGE MUST BE AUTHORIZED BY AN EGLASS ENGINEER.	THREE PLACE DECIMAL ±
	MATERIAL
	FINISH
	DO NOT SCALE DRAWING

NAME		DATE		TITLE:	
DRAWN	V.P.	12/11/18		EGLASS VISION, DECK MOUNT, STAIR GUARD, 42" RAILING SYSTEM	
ENG APPR.				SIZE	DWG. NO.
MFG APPR.				A	CVDS-00-00
COMMENTS:				REV	2
PURCHASER HAS THE FULL RESPONSIBILITY TO COMPLY WITH LOCAL, NATIONAL AND INTERNATIONAL BUILDING CODES. PURCHASER SHALL COMPLY IN ALL RESPECTS WITH ALL APPLICABLE LEGAL REQUIREMENTS GOVERNING THE DUTIES, OBLIGATIONS, AND BUSINESS PRACTICES OF THEIR LOCALITIES AND SHALL OBTAIN ANY PERMITS OR LICENSES NECESSARY FOR THEIR OPERATIONS.				SCALE: 1:50	WEIGHT:
				SHEET 2 OF 2	

2

1

B

B

A

A

eGlass Vision™

PROPRIETARY AND CONFIDENTIAL

THE INFORMATION CONTAINED IN THIS DRAWING IS THE SOLE PROPERTY OF EGLASS LLC. ANY REPRODUCTION IN PART OR AS A WHOLE WITHOUT THE WRITTEN PERMISSION OF EGLASS LLC IS PROHIBITED.

