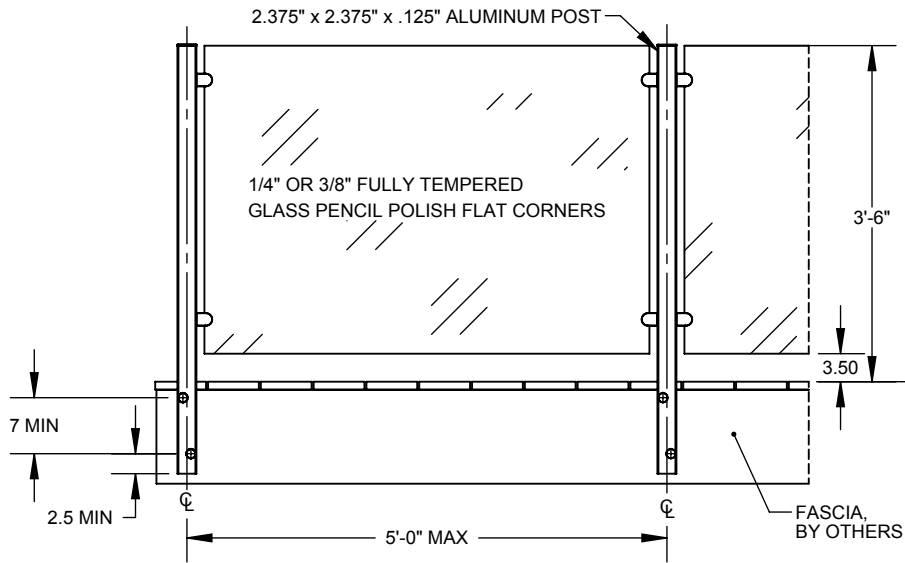
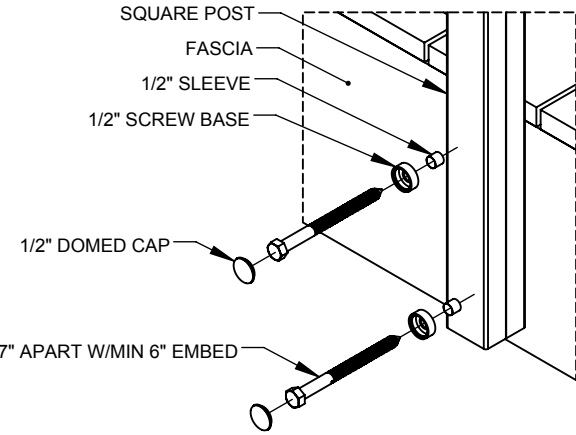


2

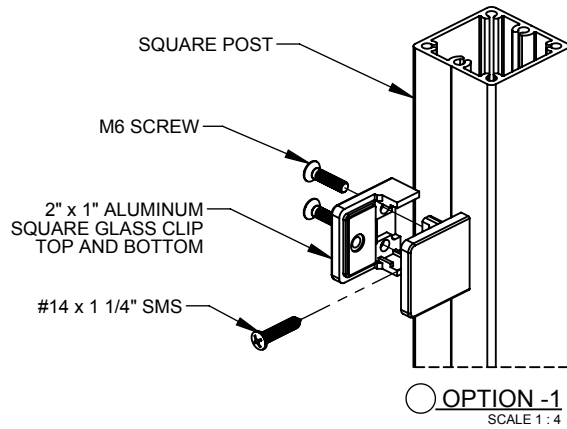
1



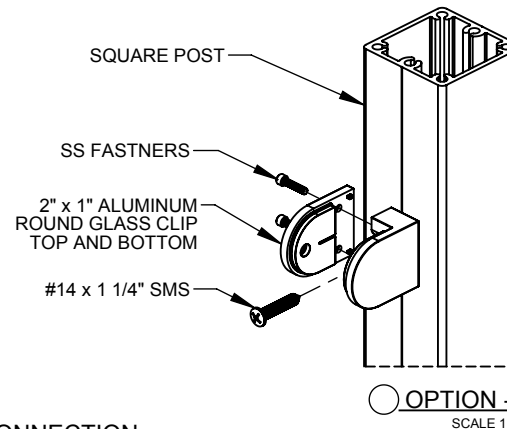
① GLASS WITHOUT TOP & BOTTOM RAIL, FASCIA MOUNT



② TYP. POST TO DECK CONNECTION
SCALE 1:8



○ OPTION -1
SCALE 1:4



○ OPTION -2
SCALE 1:4

③ POST-CLIP CONNECTION

eGlass Vision™

PROPRIETARY AND CONFIDENTIAL

THE INFORMATION CONTAINED IN THIS DRAWING IS THE SOLE PROPERTY OF EGLASS LLC. ANY REPRODUCTION IN PART OR AS A WHOLE WITHOUT THE WRITTEN PERMISSION OF EGLASS LLC IS PROHIBITED.

NOTES: UNLESS OTHERWISE SPECIFIED

1. DIMENSIONS SHOWN - INCHES [MM].
2. MACHINED SURFACES TO BE 63µIN MAX.
3. PART TO BE FREE OF BURRS AND SHARP EDGES.
4. ALL MATERIAL TO BE CLEAN, DEGREASED AND FREE OF ALL IMPURITIES.
5. ANY CHANGE MUST BE AUTHORIZED BY AN EGLASS ENGINEER.

DIMENSIONS ARE IN INCHES
FRACTIONAL ±
ANGULAR: MACH ±
TWO PLACE DECIMAL ±
THREE PLACE DECIMAL ±

MATERIAL

FINISH

DO NOT SCALE DRAWING

NAME DATE
V.P. 09/25/18

DRAWN
ENG APPR.
MFG APPR.

COMMENTS:
PURCHASER HAS THE FULL RESPONSIBILITY TO COMPLY WITH LOCAL, NATIONAL AND INTERNATIONAL BUILDING CODES. PURCHASER SHALL COMPLY IN ALL RESPECTS WITH ALL APPLICABLE LEGAL REQUIREMENTS GOVERNING THE DUTIES, OBLIGATIONS, AND BUSINESS PRACTICES OF THEIR LOCALITIES AND SHALL OBTAIN ANY PERMITS OR LICENSES NECESSARY FOR THEIR OPERATIONS.

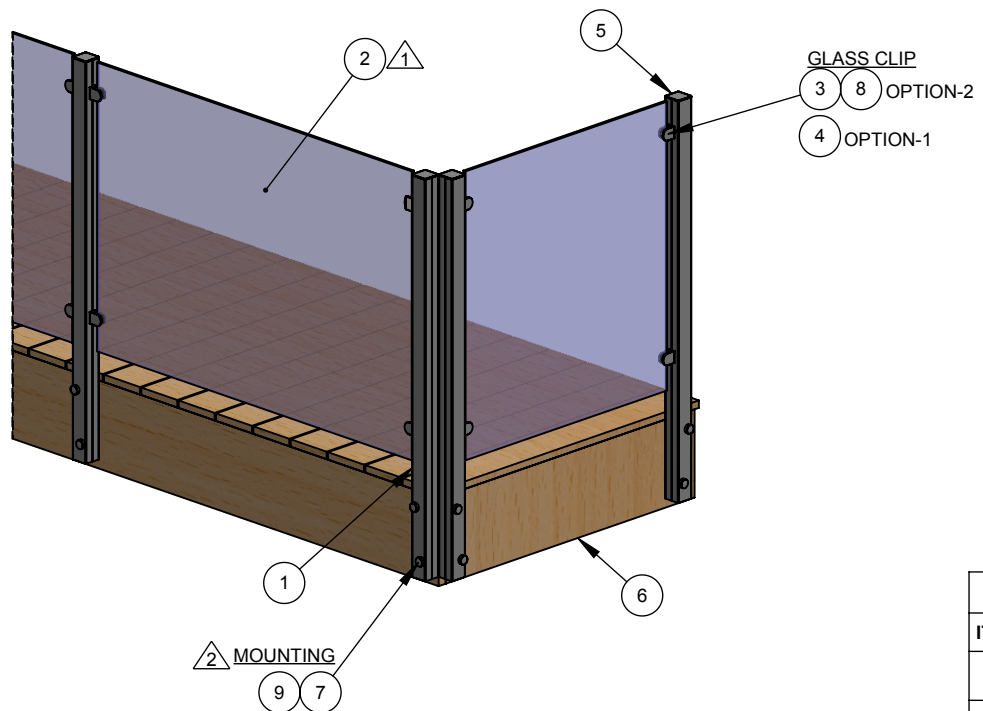


TITLE: **EGLASS VISION, FASCIA MOUNT, NO BRACKET, FLAT DECK, 42" RAILING SYSTEM**

SIZE	DWG. NO.	REV
A	CVFF-00-00	1
SCALE: 1:24	WEIGHT:	SHEET 1 OF 2

2

1



BILL OF MATERIAL TABLE			
ITEM NO.	PART NUMBER	DESCRIPTION	QTY.
1	AAFA-SP-56	SQUARE POST, LONG BLANK, (2 3/8" x 2 3/8" x 1/8" x 56")	AS REQD.
2	CAAF-G3-56	3/8" TEMPERED GLASS, DECK RAILING	AS REQD.
3	AVAA-GC-00	GLASS CLIP, ROUND	AS REQD.
4	AVAA-GC-20	FLAT SQUARE GLASS CLAMP	AS REQD.
5	AAAA-PC-01	POST CAP, 2 3/8" SQUARE POST	AS REQD.
6	STD-DK-02	DECK WOOD (OR) CONCRETE	AS REQD.
7	STD-AC-04	1/2" LAG SCREW, 7" APART W/MIN 6" EMBED	AS REQD.
8	STD-SC-07	#14 x 1 1/4" SMS	AS REQD.
9	STD-SW-10	1/2" SCREW COVER	AS REQD.

NOTES:

- 1. DIFFERENT SIZES OF GLASS PANELS ARE AVAILABLE. REFER DWG NO: CAAF-G2-08 (1/4" THK) AND CAAF-G3-08 (3/8" THK).
- 2. MOUNTING:
 - FOR CONCRETE:
 - 1. STD-AC-02 (1/2" THRU BOLT, 4" LENGTH)
 - FOR WOOD:
 - 1. STD-AC-04 (1/2" LAG SCREW 7" PART W/MIN 6" EMBED)

NOTES: UNLESS OTHERWISE SPECIFIED	
1. DIMENSIONS SHOWN - INCHES [MM].	DIMENSIONS ARE IN INCHES
2. MACHINED SURFACES TO BE 63UIN MAX.	FRACTIONAL ±
3. PART TO BE FREE OF BURRS AND SHARP EDGES.	ANGULAR: MACH ±
4. ALL MATERIAL TO BE CLEAN, DEGREASED AND FREE OF ALL IMPURITIES.	TWO PLACE DECIMAL ±
5. ANY CHANGE MUST BE AUTHORIZED BY AN EGLASS ENGINEER.	THREE PLACE DECIMAL ±
	MATERIAL
	FINISH
	DO NOT SCALE DRAWING

NAME	DATE
V.P.	09/25/18
DRAWN	
ENG APPR.	
MFG APPR.	
COMMENTS:	
PURCHASER HAS THE FULL RESPONSIBILITY TO COMPLY WITH LOCAL, NATIONAL AND INTERNATIONAL BUILDING CODES. PURCHASER SHALL COMPLY IN ALL RESPECTS WITH ALL APPLICABLE LEGAL REQUIREMENTS GOVERNING THE DUTIES, OBLIGATIONS, AND BUSINESS PRACTICES OF THEIR LOCALITIES AND SHALL OBTAIN ANY PERMITS OR LICENSES NECESSARY FOR THEIR OPERATIONS.	

EGLASS RAILING™

TITLE: EGLASS VISION, FASCIA MOUNT, NO BRACKET, FLAT DECK, 42" RAILING SYSTEM

SIZE	DWG. NO.	REV
A	CVFF-00-00	1
SCALE: 1:24	WEIGHT:	SHEET 2 OF 2

eGlass Vision™

PROPRIETARY AND CONFIDENTIAL

THE INFORMATION CONTAINED IN THIS DRAWING IS THE SOLE PROPERTY OF EGLASS LLC. ANY REPRODUCTION IN PART OR AS A WHOLE WITHOUT THE WRITTEN PERMISSION OF EGLASS LLC IS PROHIBITED.