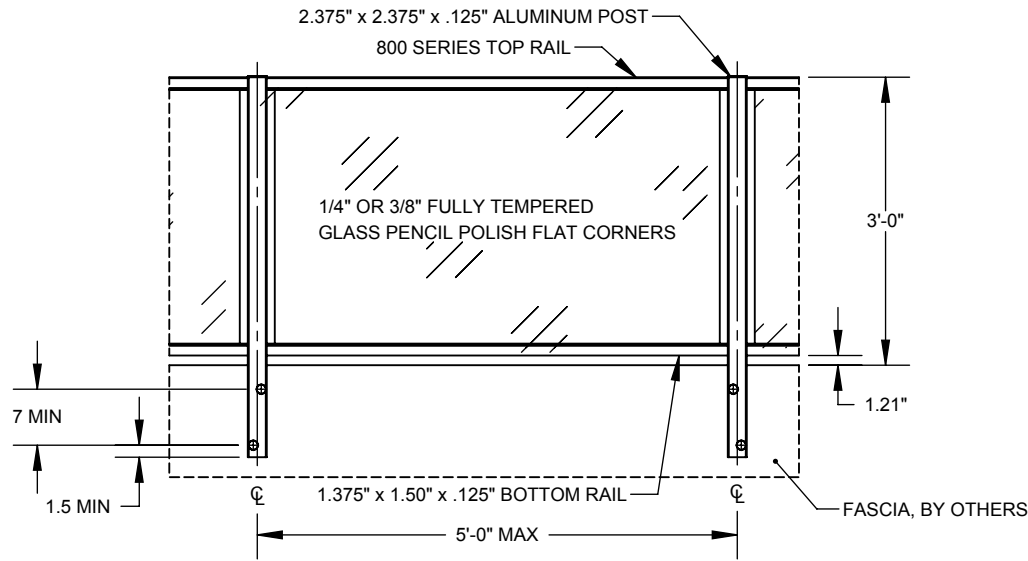


2

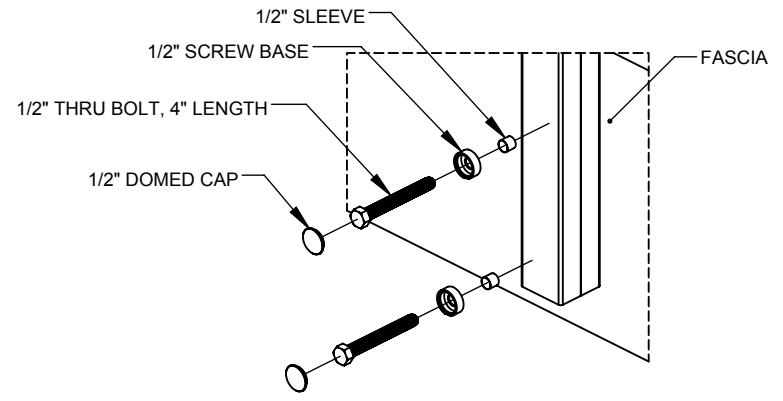
1

B

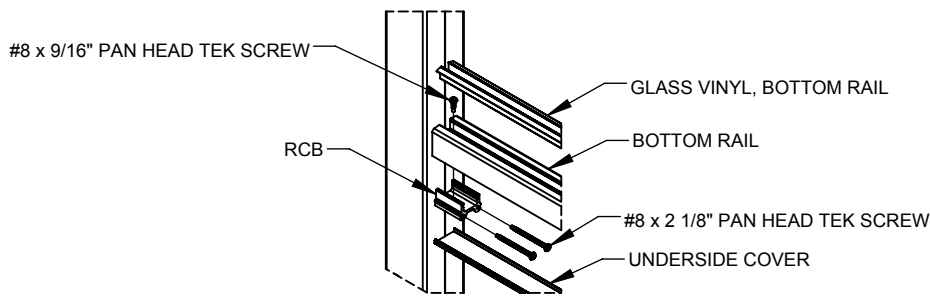
B



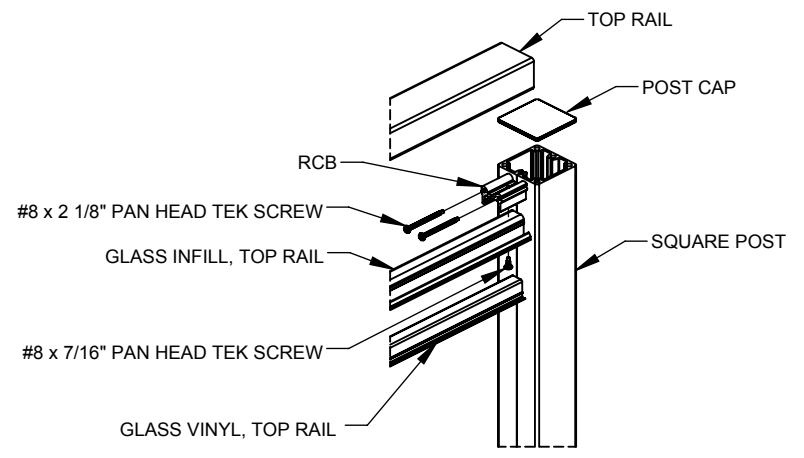
① GLASS WITH TOP & BOTTOM RAIL, FASCIA MOUNT



② TYP. POST TO DECK CONNECTION
SCALE 1 : 8



③ TYP. BOTTOM RAIL CONNECTION
SCALE 1 : 8



④ TYP. TOP RAIL CONNECTION
SCALE 1 : 8

A

A

NOTES: UNLESS OTHERWISE SPECIFIED		NAME	DATE	eGLASS RAILING™		
<p>1. DIMENSIONS SHOWN - INCHES [MM]. 2. MACHINED SURFACES TO BE 63UIN MAX. 3. PART TO BE FREE OF BURRS AND SHARP EDGES. 4. ALL MATERIAL TO BE CLEAN, DEGREASED AND FREE OF ALL IMPURITIES. 5. ANY CHANGE MUST BE AUTHORIZED BY AN EGLASS ENGINEER.</p>	DIMENSIONS ARE IN INCHES FRACTIONAL ±	DRAWN	V.P.	08/07/18	<p>TITLE: EGLASS ELEMENT, FASCIA MOUNT, NO BRACKET, FLAT DECK, 36" RAILING SYSTEM</p>	
	ANGULAR: MACH ±	ENG APPR.				
	TWO PLACE DECIMAL ±	MFG APPR.				
	THREE PLACE DECIMAL ±	COMMENTS:	PURCHASER HAS THE FULL RESPONSIBILITY TO COMPLY WITH LOCAL, NATIONAL AND INTERNATIONAL BUILDING CODES. PURCHASER SHALL COMPLY IN ALL RESPECTS WITH ALL APPLICABLE LEGAL REQUIREMENTS GOVERNING THE DUTIES, OBLIGATIONS, AND BUSINESS PRACTICES OF THEIR LOCALITIES AND SHALL OBTAIN ANY PERMITS OR LICENSES NECESSARY FOR THEIR OPERATIONS.			
MATERIAL	FINISH	DO NOT SCALE DRAWING		SIZE	DWG. NO.	REV
				A	REF-00-00	6
				SCALE: 1:24	WEIGHT:	SHEET 1 OF 2

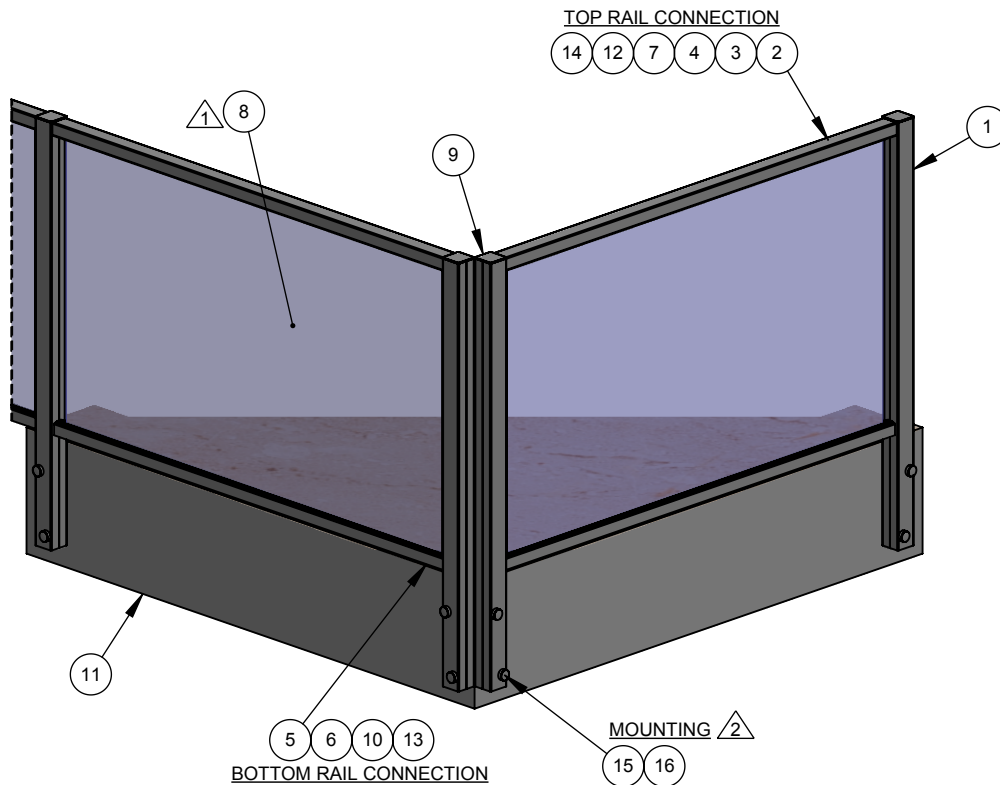
eGlass Element™
PROPRIETARY AND CONFIDENTIAL
THE INFORMATION CONTAINED IN THIS DRAWING IS THE SOLE PROPERTY OF EGLASS LLC. ANY REPRODUCTION IN PART OR AS A WHOLE WITHOUT THE WRITTEN PERMISSION OF EGLASS LLC IS PROHIBITED.

2

1

2

1



BILL OF MATERIAL TABLE			
ITEM NO.	PART NUMBER	DESCRIPTION	QTY.
1	AAAA-SP-48	SQUARE POST, MEDIUM BLANK, (2 3/8" x 2 3/8" x 1/8" x 48")	AS REQD.
2	800S-TR-01	800 SERIES, TOP RAIL (2" x 1 1/2" x 1/8"), 20' LENGTH	AS REQD.
3	AEEA-TI-01	EGLASS ELEMENT, INFILL, TOP RAIL, 20' LENGTH	AS REQD.
4	AAAA-TV-31	GLASS VINYL, TOP RAIL, 3/8" THICK GLASS	AS REQD.
5	AAAA-BR-01	BOTTOM RAIL (1 3/8" x 1 1/2" x 1/8"), 20' LENGTH	AS REQD.
6	AAAA-BV-31	GLASS VINYL, BOTTOM RAIL, 3/8" THICK GLASS	AS REQD.
7	AAAA-RC-01	RCB, 1.5" PRE-CUT	AS REQD.
8	RAAF-G3-56	3/8" TEMPERED GLASS, DECK RAILING	AS REQD.
9	AAAA-PC-01	POST CAP, 2 3/8" SQUARE POST	AS REQD.
10	AAAA-UC-01	BOTTOM RAIL, UNDERSIDE COVER, 20' LENGTH	AS REQD.
11	STD-DK-01	CONCRETE DECK	AS REQD.
12	STD-SC-01	#8 x 2 1/8" PAN HEAD TEK SCREW	AS REQD.
13	STD-SC-02	#8 x 9/16" PAN HEAD TEK SCREW	AS REQD.
14	STD-SC-11	#8 x 7/16" PAN HEAD TEK SCREW	AS REQD.
15	STD-AC-02	1/2" THRU BOLT, 4" LENGTH	AS REQD.
16	STD-SW-10	1/2" SCREW COVER	AS REQD.

NOTES:

- 1. DIFFERENT SIZES OF GLASS PANELS ARE AVAILABLE. REFER DWG NO: RAAF-G2-08 (1/4" THK) AND RAAF-G3-08 (3/8" THK).

2. MOUNTING:
FOR CONCRETE:

- 1. STD-AC-02 (1/2" THRU BOLT, 4" LENGTH)

FOR WOOD:

- 1. STD-AC-04 (1/2" LAG SCREW 7" PART W/MIN 6" EMBED)

NOTES: UNLESS OTHERWISE SPECIFIED		NAME	DATE	EGLASS RAILING™	
<p>eGlass Element™</p> <p>PROPRIETARY AND CONFIDENTIAL</p> <p>THE INFORMATION CONTAINED IN THIS DRAWING IS THE SOLE PROPERTY OF EGLASS LLC. ANY REPRODUCTION IN PART OR AS A WHOLE WITHOUT THE WRITTEN PERMISSION OF EGLASS LLC IS PROHIBITED.</p>	<p>DIMENSIONS ARE IN INCHES FRACTIONAL ±</p> <p>ANGULAR: MACH ±</p> <p>TWO PLACE DECIMAL ±</p> <p>THREE PLACE DECIMAL ±</p>	DRAWN	V.P.	08/07/18	<p>TITLE: EGLASS ELEMENT, FASCIA MOUNT, NO BRACKET, FLAT DECK, 36" RAILING SYSTEM</p> <p>SIZE: A DWG. NO. REF-00-00 REV 6</p> <p>SCALE: 1:24 WEIGHT: SHEET 2 OF 2</p>
	MATERIAL	COMMENTS:			
	FINISH	PURCHASER HAS THE FULL RESPONSIBILITY TO COMPLY WITH LOCAL, NATIONAL AND INTERNATIONAL BUILDING CODES. PURCHASER SHALL COMPLY IN ALL RESPECTS WITH ALL APPLICABLE LEGAL REQUIREMENTS GOVERNING THE DUTIES, OBLIGATIONS, AND BUSINESS PRACTICES OF THEIR LOCALITIES AND SHALL OBTAIN ANY PERMITS OR LICENSES NECESSARY FOR THEIR OPERATIONS.			
	DO NOT SCALE DRAWING				

2

1