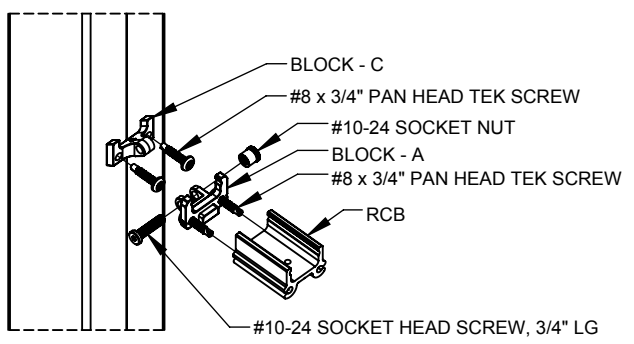


① EGLASS PICKET, FASCIA MOUNT, NO BRACKET, STAIR GUARD
 ② TYP. POST TO DECK CONNECTION SCALE 1:8

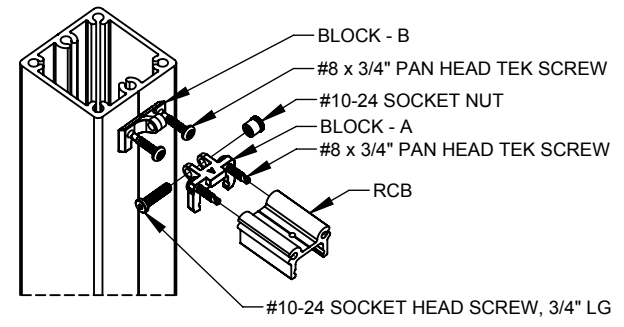
NOTES: UNLESS OTHERWISE SPECIFIED		NAME	DATE
1. DIMENSIONS SHOWN - INCHES [MM]. 2. MACHINED SURFACES TO BE 63µIN MAX. 3. PART TO BE FREE OF BURRS AND SHARP EDGES. 4. ALL MATERIAL TO BE CLEAN, DEGREASED AND FREE OF ALL IMPURITIES. 5. ANY CHANGE MUST BE AUTHORIZED BY AN EGLASS ENGINEER.	DIMENSIONS ARE IN INCHES	DRAWN	V.P.
	FRACTIONAL ±	ENG APPR.	
	ANGULAR: MACH ±	MFG APPR.	
	TWO PLACE DECIMAL ±	COMMENTS:	
	THREE PLACE DECIMAL ±	PURCHASER HAS THE FULL RESPONSIBILITY TO COMPLY WITH LOCAL, NATIONAL AND INTERNATIONAL BUILDING CODES. PURCHASER SHALL COMPLY IN ALL RESPECTS WITH ALL APPLICABLE LEGAL REQUIREMENTS GOVERNING THE DUTIES, OBLIGATIONS, AND BUSINESS PRACTICES OF THEIR LOCALITIES AND SHALL OBTAIN ANY PERMITS OR LICENSES NECESSARY FOR THEIR OPERATIONS.	
MATERIAL	DO NOT SCALE DRAWING		
FINISH			

eGLASS RAILING™		
TITLE: EGLASS PICKET, FASCIA MOUNT, NO BRACKET, STAIR GUARD, 36" RAILING SYSTEM		
SIZE	DWG. NO.	REV
A	RMFS-00-00	3
SCALE: 1:50	WEIGHT:	SHEET 1 OF 3

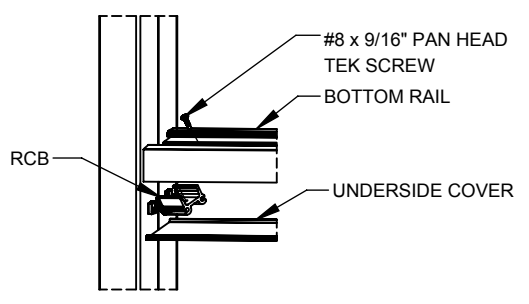
eGlass Picket™
 PROPRIETARY AND CONFIDENTIAL
 THE INFORMATION CONTAINED IN THIS DRAWING IS THE SOLE PROPERTY OF EGLASS LLC. ANY REPRODUCTION IN PART OR AS A WHOLE WITHOUT THE WRITTEN PERMISSION OF EGLASS LLC IS PROHIBITED.



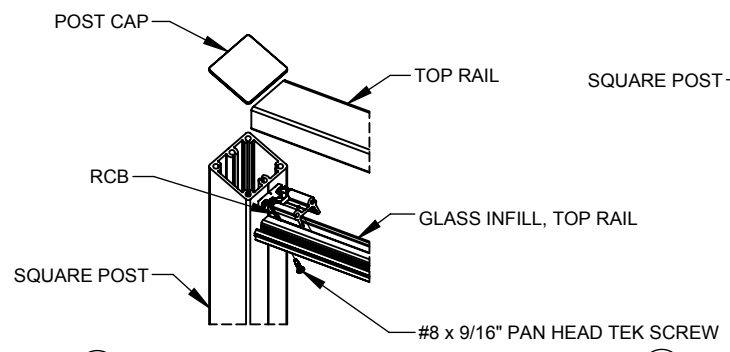
3 TYP. BOTTOM RAIL HINGE JOINT CONNECTION
SCALE 1 : 4



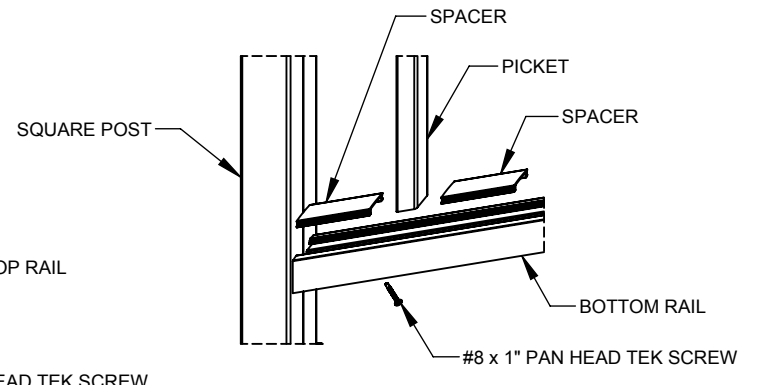
4 TYP. TOP RAIL HINGE JOINT CONNECTION
SCALE 1 : 4



5 TYP. BOTTOM RAIL CONNECTION



6 TYP. TOP RAIL CONNECTION



7 TYP. PICKET AND SPACER INSTALLATION

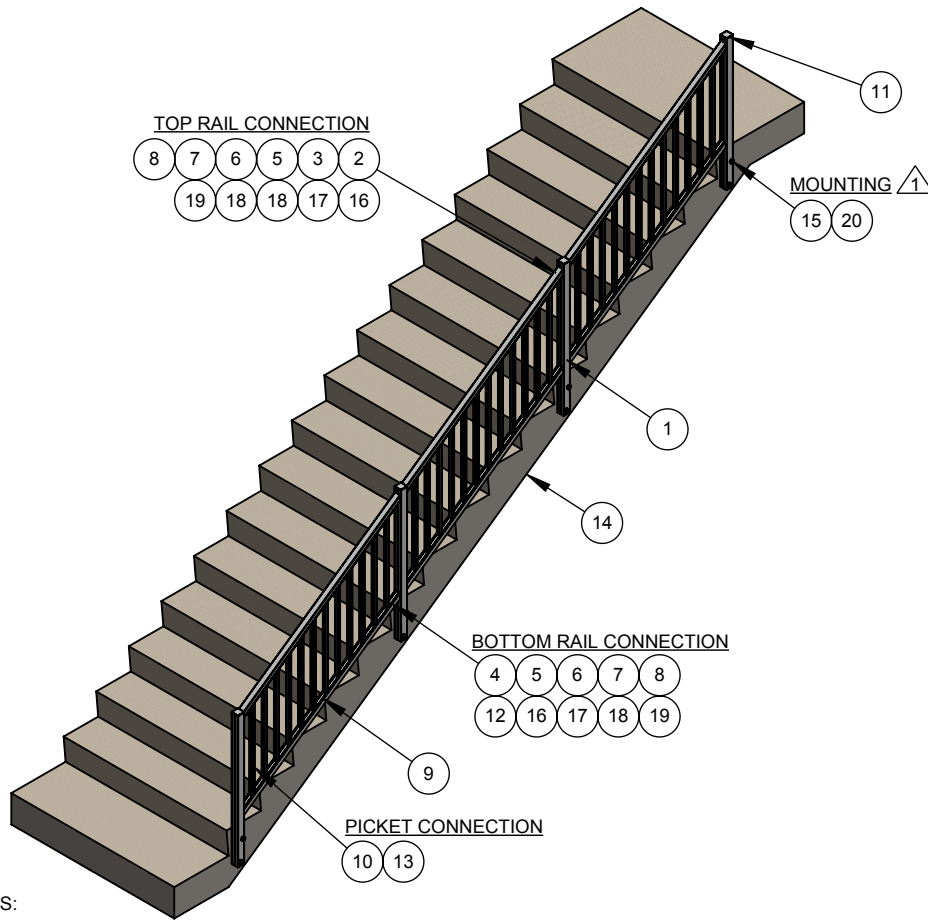
eGlass Picket™
 PROPRIETARY AND CONFIDENTIAL
 THE INFORMATION CONTAINED IN THIS DRAWING IS THE SOLE PROPERTY OF EGLASS LLC. ANY REPRODUCTION IN PART OR AS A WHOLE WITHOUT THE WRITTEN PERMISSION OF EGLASS LLC IS PROHIBITED.

NOTES: UNLESS OTHERWISE SPECIFIED		NAME	DATE
1. DIMENSIONS SHOWN - INCHES [MM]. 2. MACHINED SURFACES TO BE 63UIN MAX. 3. PART TO BE FREE OF BURRS AND SHARP EDGES. 4. ALL MATERIAL TO BE CLEAN, DEGREASED AND FREE OF ALL IMPURITIES. 5. ANY CHANGE MUST BE AUTHORIZED BY AN EGLASS ENGINEER.	DIMENSIONS ARE IN INCHES	DRAWN	V.P.
	FRACTIONAL ±	ENG APPR.	
	ANGULAR: MACH ±	MFG APPR.	
	TWO PLACE DECIMAL ±	COMMENTS:	
	THREE PLACE DECIMAL ±	PURCHASER HAS THE FULL RESPONSIBILITY TO COMPLY WITH LOCAL, NATIONAL AND INTERNATIONAL BUILDING CODES. PURCHASER SHALL COMPLY IN ALL RESPECTS WITH ALL APPLICABLE LEGAL REQUIREMENTS GOVERNING THE DUTIES, OBLIGATIONS, AND BUSINESS PRACTICES OF THEIR LOCALITIES AND SHALL OBTAIN ANY PERMITS OR LICENSES NECESSARY FOR THEIR OPERATIONS.	
MATERIAL	DO NOT SCALE DRAWING		
FINISH			

eGLASS RAILING™		
TITLE: EGLASS PICKET, FASCIA MOUNT, NO BRACKET, STAIR GUARD, 36" RAILING SYSTEM		
SIZE	DWG. NO.	REV
A	RMFS-00-00	3
SCALE: 1:8	WEIGHT:	SHEET 2 OF 3

2

1



NOTES:

- MOUNTING:**
- FOR CONCRETE:**
1. STD-AC-02 (1/2" THRU BOLT, 4" LENGTH)
- FOR WOOD:**
1. STD-AC-04 (1/2" LAG SCREW 7" APART W/MIN 6" EMBED)

BILL OF MATERIAL TABLE			
ITEM NO.	PART NUMBER	DESCRIPTION	QTY.
1	AAFA-SP-56	SQUARE POST, LONG BLANK, (2 3/8" x 2 3/8" x 1/8" x 56")	AS REQD.
2	800S-TR-01	800 SERIES, TOP RAIL (2" x 1 1/2" x 1/8"), 20' LENGTH	AS REQD.
3	AMAS-TI-01	EGLASS PICKET, INFILL, TOP RAIL (2" x 1 1/2" x 1/8"), 20' LENGTH	AS REQD.
4	APAS-BR-01	EGLASS PICKET, BOTTOM RAIL, 20' LENGTH	AS REQD.
5	AAAS-HJ-03	BLOCK - C	AS REQD.
6	AAAS-HJ-02	BLOCK - A	AS REQD.
7	AAAA-RC-01	RCB, 1.5" PRE-CUT	AS REQD.
8	AAAS-HJ-01	BLOCK - B	AS REQD.
9	APAS-SR-01	EGLASS PICKET, SPACER	AS REQD.
10	APAS-PK-01	PICKET (1" x 1"), 37.5" LENGTH	AS REQD.
11	AAAA-PC-01	POST CAP, 2 3/8" SQUARE POST	AS REQD.
12	APAS-UC-01	EGLASS PICKET, BOTTOM RAIL, UNDERSIDE COVER, 20' LENGTH	AS REQD.
13	STD-SC-15	#8 x 1" PAN HEAD TEK SCREW	AS REQD.
14	STD-DK-03	STEPS - CONCRETE	AS REQD.
15	STD-AC-02	1/2" THRU BOLT, 4" LENGTH	AS REQD.
16	STD-NT-03	#10-24 SOCKET NUT	AS REQD.
17	STD-SC-02	#8 x 9/16" PAN HEAD TEK SCREW	AS REQD.
18	STD-SC-12	#8 x 3/4" PAN HEAD TEK SCREW	AS REQD.
19	STD-SC-13	#10-24 SOCKET HEAD SCREW, 3/4" LG	AS REQD.
20	STD-SW-10	1/2" SCREW COVER	AS REQD.

eGlass Picket™

PROPRIETARY AND CONFIDENTIAL

THE INFORMATION CONTAINED IN THIS DRAWING IS THE SOLE PROPERTY OF EGLASS LLC. ANY REPRODUCTION IN PART OR AS A WHOLE WITHOUT THE WRITTEN PERMISSION OF EGLASS LLC IS PROHIBITED.

NOTES: UNLESS OTHERWISE SPECIFIED

1. DIMENSIONS SHOWN - INCHES [MM].
2. MACHINED SURFACES TO BE 63uIN MAX.
3. PART TO BE FREE OF BURRS AND SHARP EDGES.
4. ALL MATERIAL TO BE CLEAN, DEGREASED AND FREE OF ALL IMPURITIES.
5. ANY CHANGE MUST BE AUTHORIZED BY AN EGLASS ENGINEER.

DIMENSIONS ARE IN INCHES
 FRACTIONAL ±
 ANGULAR: MACH ±
 TWO PLACE DECIMAL ±
 THREE PLACE DECIMAL ±

MATERIAL

FINISH

DO NOT SCALE DRAWING

	NAME	DATE
DRAWN	V.P.	12/06/18
ENG APPR.		
MFG APPR.		

COMMENTS:
 PURCHASER HAS THE FULL RESPONSIBILITY TO COMPLY WITH LOCAL, NATIONAL AND INTERNATIONAL BUILDING CODES. PURCHASER SHALL COMPLY IN ALL RESPECTS WITH ALL APPLICABLE LEGAL REQUIREMENTS GOVERNING THE DUTIES, OBLIGATIONS, AND BUSINESS PRACTICES OF THEIR LOCALITIES AND SHALL OBTAIN ANY PERMITS OR LICENSES NECESSARY FOR THEIR OPERATIONS.



TITLE: **EGLASS PICKET, FASCIA MOUNT, NO BRACKET, STAIR GUARD, 36" RAILING SYSTEM**

SIZE	DWG. NO.	REV
A	RMFS-00-00	3
SCALE: 1:50	WEIGHT:	SHEET 3 OF 3

2

1