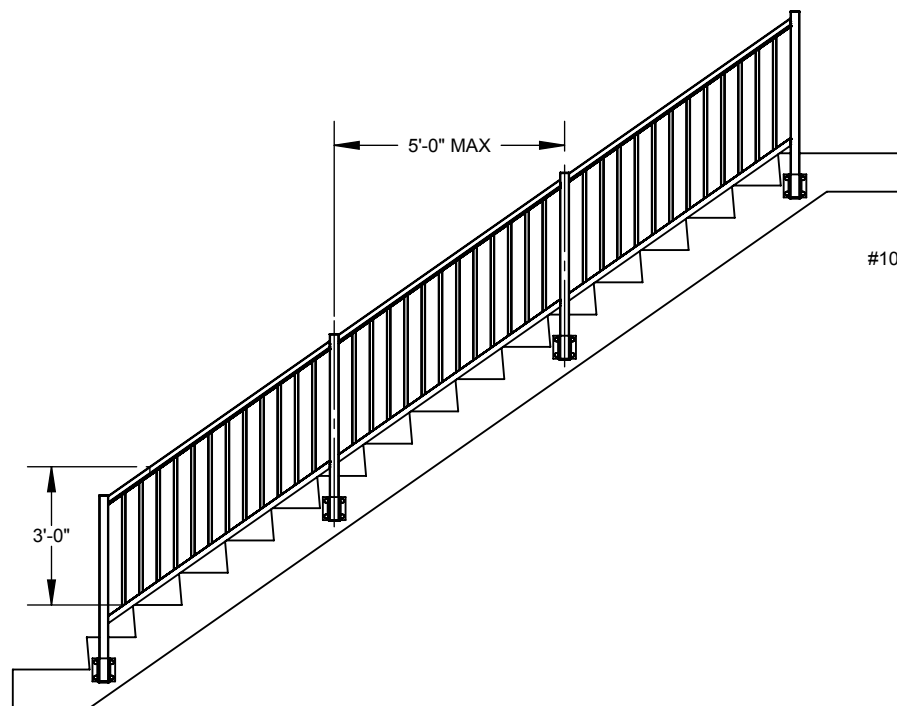


2

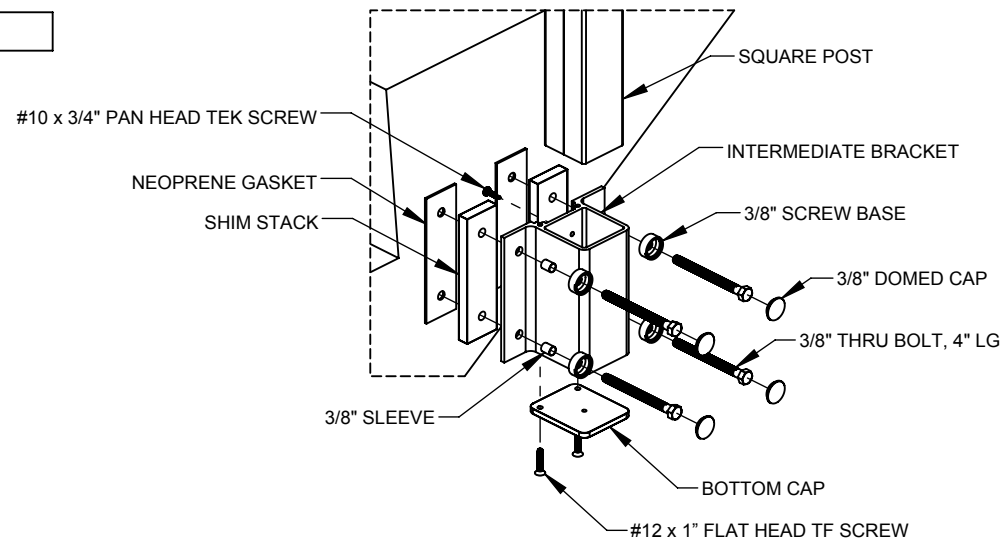
1

B

B



① EGLASS PICKET, FASCIA MOUNT, WITH BRACKET, STAIR GUARD



② TYP. INTERMEDIATE BRACKET CONNECTION
SCALE 1:8

A

A

eGlass Picket™

PROPRIETARY AND CONFIDENTIAL

THE INFORMATION CONTAINED IN THIS DRAWING IS THE SOLE PROPERTY OF EGLASS LLC. ANY REPRODUCTION IN PART OR AS A WHOLE WITHOUT THE WRITTEN PERMISSION OF EGLASS LLC IS PROHIBITED.

NOTES: UNLESS OTHERWISE SPECIFIED

1. DIMENSIONS SHOWN - INCHES [MM].
2. MACHINED SURFACES TO BE $63\mu\text{IN}$ MAX.
3. PART TO BE FREE OF BURRS AND SHARP EDGES.
4. ALL MATERIAL TO BE CLEAN, DEGREASED AND FREE OF ALL IMPURITIES.
5. ANY CHANGE MUST BE AUTHORIZED BY AN EGLASS ENGINEER.

DIMENSIONS ARE IN INCHES
FRACTIONAL \pm
ANGULAR: MACH \pm
TWO PLACE DECIMAL \pm
THREE PLACE DECIMAL \pm

MATERIAL

FINISH

DO NOT SCALE DRAWING

	NAME	DATE
DRAWN	V.P.	12/06/18
ENG APPR.		
MFG APPR.		

COMMENTS:
PURCHASER HAS THE FULL RESPONSIBILITY TO COMPLY WITH LOCAL, NATIONAL AND INTERNATIONAL BUILDING CODES. PURCHASER SHALL COMPLY IN ALL RESPECTS WITH ALL APPLICABLE LEGAL REQUIREMENTS GOVERNING THE DUTIES, OBLIGATIONS, AND BUSINESS PRACTICES OF THEIR LOCALITIES AND SHALL OBTAIN ANY PERMITS OR LICENSES NECESSARY FOR THEIR OPERATIONS.

eGLASS
RAILING™

TITLE: **EGLASS PICKET, FASCIA MOUNT, WITH BRACKET, STAIR GUARD, 36" RAILING SYSTEM**

SIZE	DWG. NO.	REV
A	RMGS-00-00	3
SCALE: 1:50	WEIGHT:	SHEET 1 OF 3

2

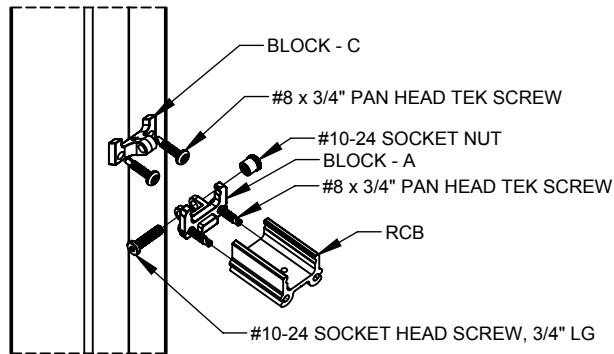
1

2

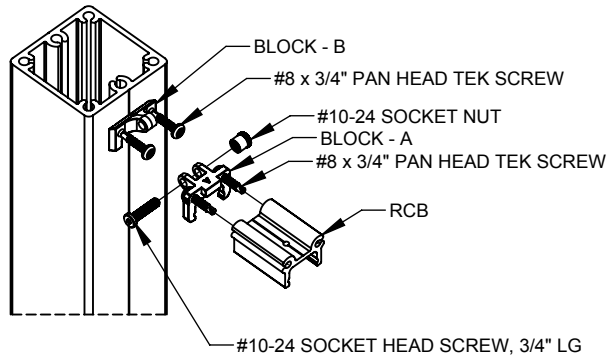
1

B

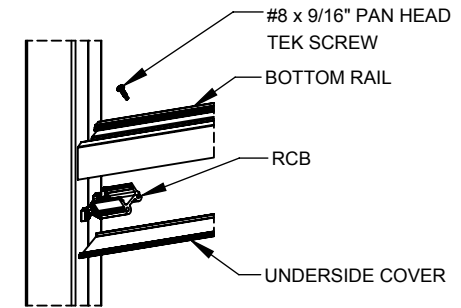
B



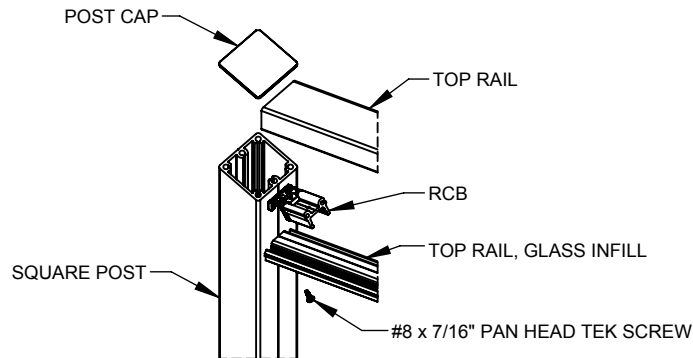
3 TYP. BOTTOM RAIL HINGE JOINT CONNECTION



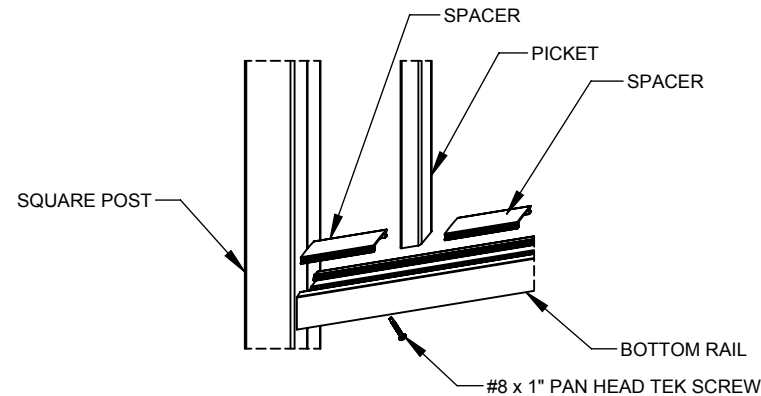
4 TYP. TOP RAIL HINGE JOINT CONNECTION



5 TYP. BOTTOM RAIL CONNECTION
SCALE 1 : 8



6 TYP. TOP RAIL CONNECTION
SCALE 1 : 8



7 TYP. PICKET AND SPACER INSTALLATION
SCALE 1 : 8

A

A

eGlass Picket™

PROPRIETARY AND CONFIDENTIAL

THE INFORMATION CONTAINED IN THIS DRAWING IS THE SOLE PROPERTY OF EGLASS LLC. ANY REPRODUCTION IN PART OR AS A WHOLE WITHOUT THE WRITTEN PERMISSION OF EGLASS LLC IS PROHIBITED.

NOTES: UNLESS OTHERWISE SPECIFIED

1. DIMENSIONS SHOWN - INCHES [MM].
2. MACHINED SURFACES TO BE 63µIN MAX.
3. PART TO BE FREE OF BURRS AND SHARP EDGES.
4. ALL MATERIAL TO BE CLEAN, DEGREASED AND FREE OF ALL IMPURITIES.
5. ANY CHANGE MUST BE AUTHORIZED BY AN EGLASS ENGINEER.

DIMENSIONS ARE IN INCHES
FRACTIONAL ±
ANGULAR: MACH ±
TWO PLACE DECIMAL ±
THREE PLACE DECIMAL ±

MATERIAL

FINISH

DO NOT SCALE DRAWING

NAME DATE
V.P. 12/06/18

DRAWN
ENG APPR.
MFG APPR.

COMMENTS:
PURCHASER HAS THE FULL RESPONSIBILITY TO COMPLY WITH LOCAL, NATIONAL AND INTERNATIONAL BUILDING CODES. PURCHASER SHALL COMPLY IN ALL RESPECTS WITH ALL APPLICABLE LEGAL REQUIREMENTS GOVERNING THE DUTIES, OBLIGATIONS, AND BUSINESS PRACTICES OF THEIR LOCALITIES AND SHALL OBTAIN ANY PERMITS OR LICENSES NECESSARY FOR THEIR OPERATIONS.



TITLE: **EGLASS PICKET, FASCIA MOUNT, WITH BRACKET, STAIR GUARD, 36" RAILING SYSTEM**

SIZE DWG. NO. REV
A RMGS-00-00 3

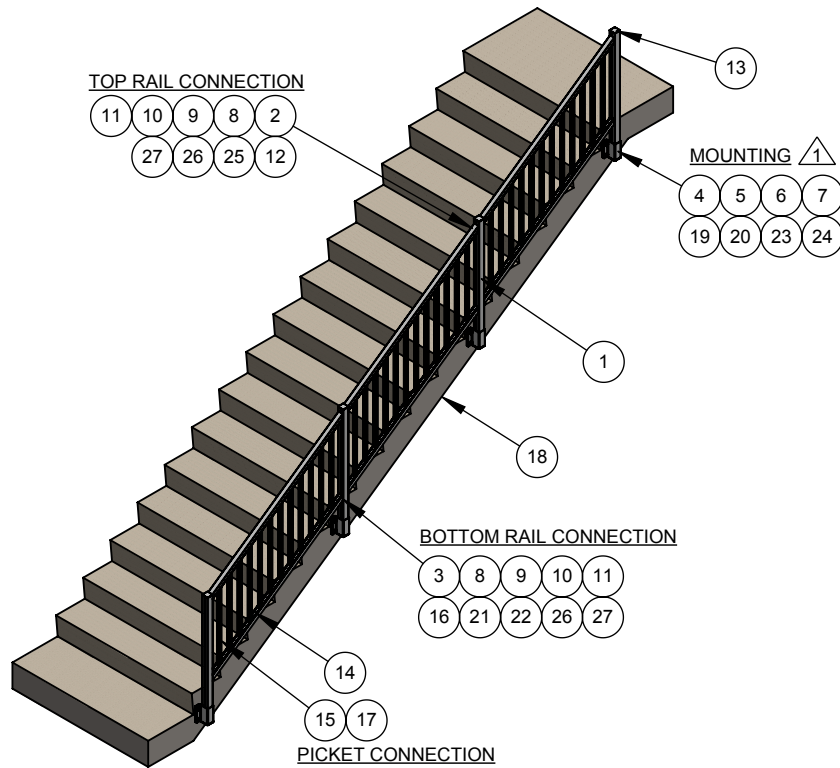
SCALE: 1:4 WEIGHT: SHEET 2 OF 3

2

1

2

1



BILL OF MATERIAL TABLE			
ITEM NO.	PART NUMBER	DESCRIPTION	QTY.
1	AAFA-SP-56	SQUARE POST, LONG BLANK, (2 3/8" x 2 3/8" x 1/8" x 56")	AS REQD.
2	800S-TR-01	800 SERIES, TOP RAIL (2" x 1 1/2" x 1/8"), 20' LENGTH	AS REQD.
3	APAS-BR-01	EGLASS PICKET, BOTTOM RAIL, 20' LENGTH	AS REQD.
4	AAGA-IB-01	INTERMEDIATE FASCIA BRACKET, 6" HEIGHT	AS REQD.
5	AAGA-NG-01	NEOPRENE GASKET, INTERMEDIATE BRACKET	AS REQD.
6	AAGA-SH-01	SHIM STACK, INTERMEDIATE BRACKET	AS REQD.
7	AAGA-BC-01	BOTTOM CAP, INTERMEDIATE FASCIA BRACKET	AS REQD.
8	AAAS-HJ-01	BLOCK - B	AS REQD.
9	AAAS-HJ-02	BLOCK - A	AS REQD.
10	AAAA-RC-01	RCB, 1.5" PRE-CUT	AS REQD.
11	AAAS-HJ-03	BLOCK - C	AS REQD.
12	AMAS-TI-01	EGLASS PICKET, INFILL, TOP RAIL (2" x 1 1/2" x 1/8"), 20' LENGTH	AS REQD.
13	AAAA-PC-01	POST CAP, 2 3/8" SQUARE POST	AS REQD.
14	APAS-SR-01	EGLASS PICKET, SPACER	AS REQD.
15	APAS-PK-01	PICKET (1" x 1"), 37.5" LENGTH	AS REQD.
16	APAS-UC-01	EGLASS PICKET, BOTTOM RAIL, UNDERSIDE COVER, 20' LENGTH	AS REQD.
17	STD-SC-15	#8 x 1" PAN HEAD TEK SCREW	AS REQD.
18	STD-DK-03	STEPS - CONCRETE	AS REQD.
19	STD-AC-01	3/8" THRU BOLT, 4" LG	AS REQD.
20	STD-SW-00	3/8" SCREW COVER	AS REQD.
21	STD-NT-03	#10-24 SOCKET NUT	AS REQD.
22	STD-SC-02	#8 x 9/16" PAN HEAD TEK SCREW	AS REQD.
23	STD-SC-03	#10 x 3/4" PAN HEAD TEK SCREW	AS REQD.
24	STD-SC-09	#12 x 1" FLAT HEAD TF SCREW	AS REQD.
25	STD-SC-11	#8 x 7/16" PAN HEAD TEK SCREW	AS REQD.
26	STD-SC-12	#8 x 3/4" PAN HEAD TEK SCREW	AS REQD.
27	STD-SC-13	#10-24 SOCKET HEAD SCREW, 3/4" LG	AS REQD.

NOTES:

- MOUNTING:**
INSIDE CORNER AND OUTSIDE CORNER BRACKETS:
FOR CONCRETE:
 1. STD-AC-07 (1/2" THRU BOLT, 3" LENGTH)
FOR WOOD:
 1. STD-AC-08 (5/8" LAG SCREW W/MIN 6" EMBED)
INTERMEDIATE BRACKETS:
FOR CONCRETE:
 1. STD-AC-06 (3/8" THRU BOLT, 4" LENGTH)
FOR WOOD:
 1. STD-AC-05 (3/8" LAG SCREW W/MIN 6" EMBED)

eGlass Picket™

PROPRIETARY AND CONFIDENTIAL

THE INFORMATION CONTAINED IN THIS DRAWING IS THE SOLE PROPERTY OF EGLASS LLC. ANY REPRODUCTION IN PART OR AS A WHOLE WITHOUT THE WRITTEN PERMISSION OF EGLASS LLC IS PROHIBITED.

NOTES: UNLESS OTHERWISE SPECIFIED		NAME	DATE		
1. DIMENSIONS SHOWN - INCHES [MM].	DIMENSIONS ARE IN INCHES FRACTIONAL	DRAWN	V.P.	TITLE: EGLASS PICKET, FASCIA MOUNT, WITH BRACKET, STAIR GUARD, 36" RAILING SYSTEM	
2. MACHINED SURFACES TO BE 63uIN MAX.	ANGULAR: MACH	ENG APPR.		SIZE	DWG. NO.
3. PART TO BE FREE OF BURRS AND SHARP EDGES.	TWO PLACE DECIMAL	MFG APPR.		A	RMGS-00-00
4. ALL MATERIAL TO BE CLEAN, DEGREASED AND FREE OF ALL IMPURITIES.	THREE PLACE DECIMAL	COMMENTS: PURCHASER HAS THE FULL RESPONSIBILITY TO COMPLY WITH LOCAL, NATIONAL AND INTERNATIONAL BUILDING CODES. PURCHASER SHALL COMPLY IN ALL RESPECTS WITH ALL APPLICABLE LEGAL REQUIREMENTS GOVERNING THE DUTIES, OBLIGATIONS, AND BUSINESS PRACTICES OF THEIR LOCALITIES AND SHALL OBTAIN ANY PERMITS OR LICENSES NECESSARY FOR THEIR OPERATIONS.		REV	3
5. ANY CHANGE MUST BE AUTHORIZED BY AN EGLASS ENGINEER.	MATERIAL			SCALE: 1:60	WEIGHT:
	FINISH			SHEET 3 OF 3	
	DO NOT SCALE DRAWING				

2

1