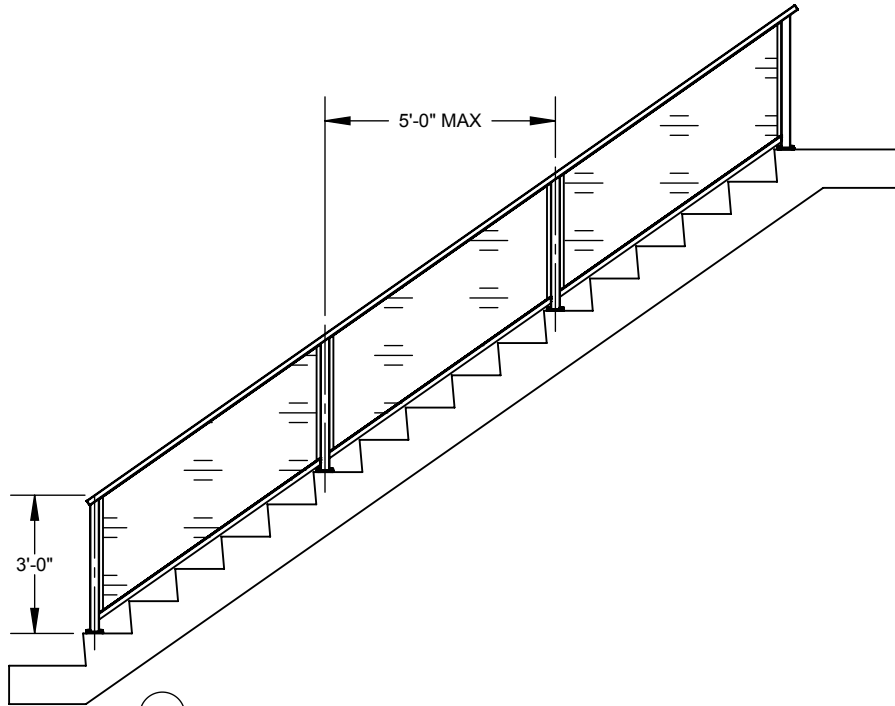


2

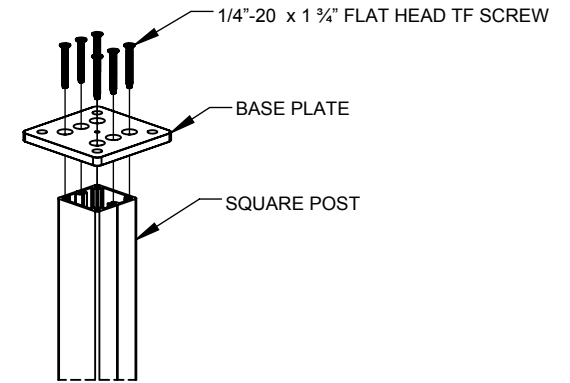
1

B

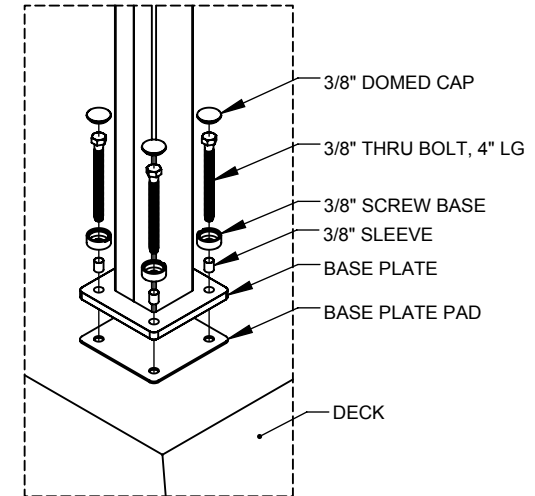
B



1 GLASS WITH TOP & BOTTOM RAIL, DECK MOUNT, STAIR GUARD



2 TYP. BASE PLATE TO POST  
SCALE 1 : 8



3 TYP. DECK MOUNTING CONNECTION  
SCALE 1 : 8

A

A

NOTES: UNLESS OTHERWISE SPECIFIED

1. DIMENSIONS SHOWN - INCHES [MM].
2. MACHINED SURFACES TO BE 63uIN MAX.
3. PART TO BE FREE OF BURRS AND SHARP EDGES.
4. ALL MATERIAL TO BE CLEAN, DEGREASED AND FREE OF ALL IMPURITIES.
5. ANY CHANGE MUST BE AUTHORIZED BY AN EGLASS ENGINEER.

DIMENSIONS ARE IN INCHES  
 FRACTIONAL ±  
 ANGULAR: MACH ±  
 TWO PLACE DECIMAL ±  
 THREE PLACE DECIMAL ±

MATERIAL

FINISH

DO NOT SCALE DRAWING

	NAME	DATE
DRAWN	V.P.	08/07/18
ENG APPR.		
MFG APPR.		

COMMENTS:  
 PURCHASER HAS THE FULL RESPONSIBILITY TO COMPLY WITH LOCAL, NATIONAL AND INTERNATIONAL BUILDING CODES. PURCHASER SHALL COMPLY IN ALL RESPECTS WITH ALL APPLICABLE LEGAL REQUIREMENTS GOVERNING THE DUTIES, OBLIGATIONS, AND BUSINESS PRACTICES OF THEIR LOCALITIES AND SHALL OBTAIN ANY PERMITS OR LICENSES NECESSARY FOR THEIR OPERATIONS.



TITLE:  
**EGLASS SOLID, DECK MOUNT, STAIR GUARD, 36" RAILING SYSTEM**

SIZE	DWG. NO.	REV
<b>A</b>	<b>RSDS-00-00</b>	<b>4</b>
SCALE: 1:50	WEIGHT:	SHEET 1 OF 3

eGlass Solid™

PROPRIETARY AND CONFIDENTIAL

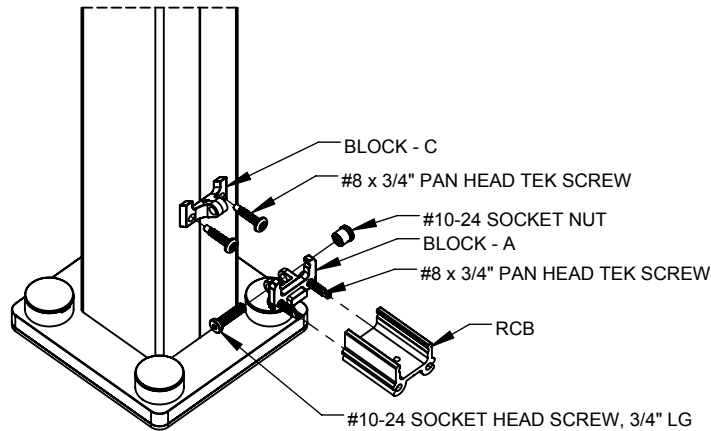
THE INFORMATION CONTAINED IN THIS DRAWING IS THE SOLE PROPERTY OF EGLASS LLC. ANY REPRODUCTION IN PART OR AS A WHOLE WITHOUT THE WRITTEN PERMISSION OF EGLASS LLC IS PROHIBITED.

2

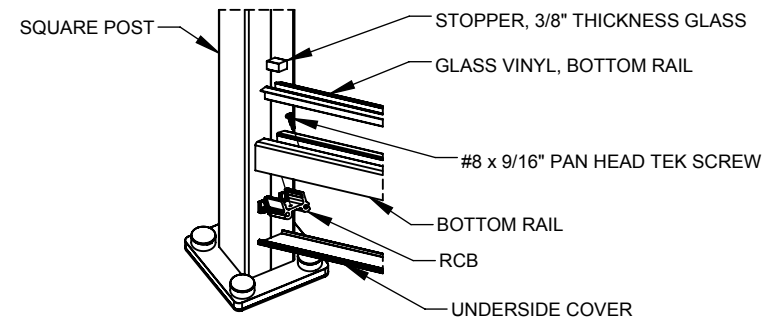
1

2

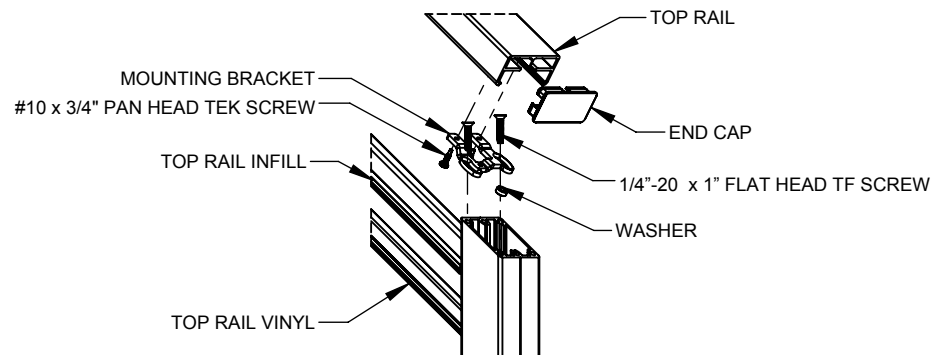
1



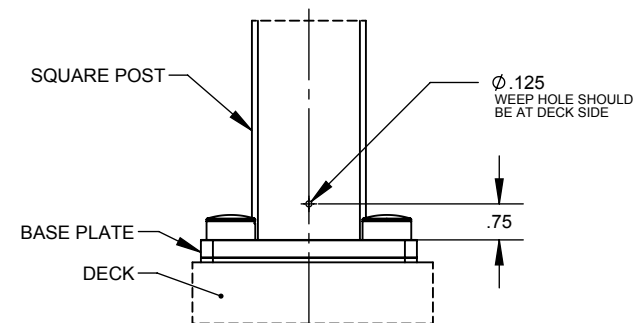
4 TYP. BOTTOM RAIL HINGE CONNECTION



5 TYP. BOTTOM RAIL CONNECTION  
SCALE 1 : 8



6 TYP. TOP RAIL CONNECTION  
SCALE 1 : 8



7 TYP. WEEP HOLE

NOTES: UNLESS OTHERWISE SPECIFIED

1. DIMENSIONS SHOWN - INCHES [MM].
2. MACHINED SURFACES TO BE 63uIN MAX.
3. PART TO BE FREE OF BURRS AND SHARP EDGES.
4. ALL MATERIAL TO BE CLEAN, DEGREASED AND FREE OF ALL IMPURITIES.
5. ANY CHANGE MUST BE AUTHORIZED BY AN EGLASS ENGINEER.

DIMENSIONS ARE IN INCHES	FRACTIONAL	±
	ANGULAR:	±
	TWO PLACE DECIMAL	±
	THREE PLACE DECIMAL	±
MATERIAL		
FINISH		
DO NOT SCALE DRAWING		

	NAME	DATE
DRAWN	V.P.	08/07/18
ENG APPR.		
MFG APPR.		
COMMENTS:		
PURCHASER HAS THE FULL RESPONSIBILITY TO COMPLY WITH LOCAL, NATIONAL AND INTERNATIONAL BUILDING CODES. PURCHASER SHALL COMPLY IN ALL RESPECTS WITH ALL APPLICABLE LEGAL REQUIREMENTS GOVERNING THE DUTIES, OBLIGATIONS, AND BUSINESS PRACTICES OF THEIR LOCALITIES AND SHALL OBTAIN ANY PERMITS OR LICENSES NECESSARY FOR THEIR OPERATIONS.		



TITLE:  
**EGLASS SOLID, DECK MOUNT, STAIR GUARD, 36" RAILING SYSTEM**

SIZE	DWG. NO.	REV
<b>A</b>	<b>RSDS-00-00</b>	<b>4</b>
SCALE: 1:4	WEIGHT:	SHEET 2 OF 3

eGlass Solid™

PROPRIETARY AND CONFIDENTIAL

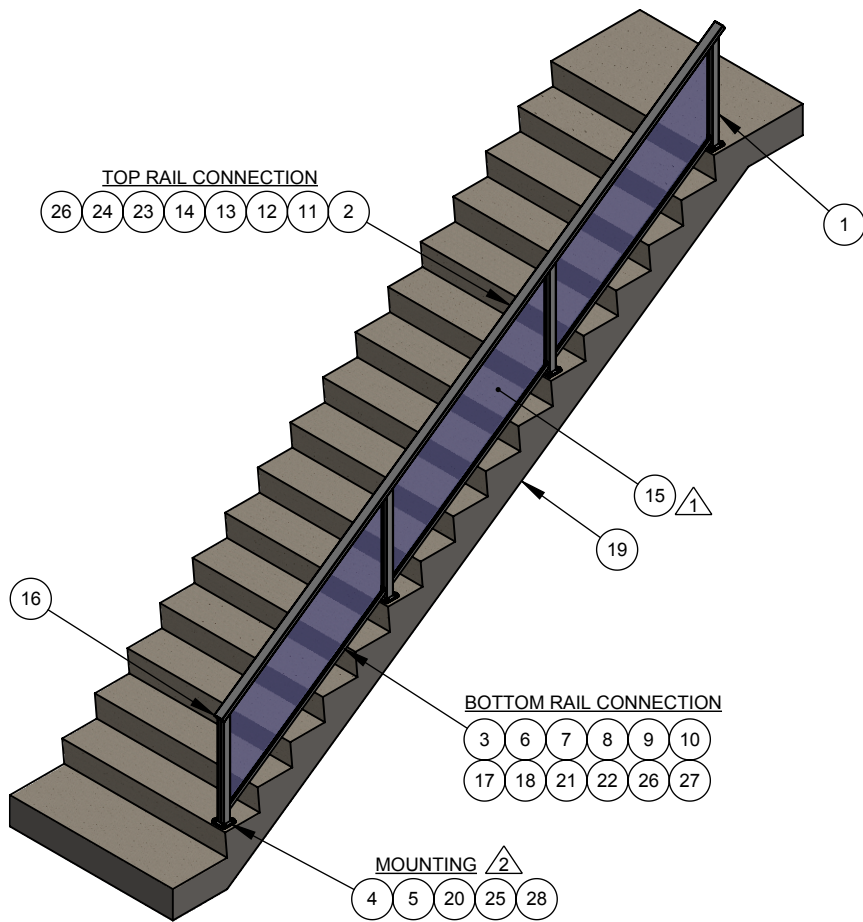
THE INFORMATION CONTAINED IN THIS DRAWING IS THE SOLE PROPERTY OF EGLASS LLC. ANY REPRODUCTION IN PART OR AS A WHOLE WITHOUT THE WRITTEN PERMISSION OF EGLASS LLC IS PROHIBITED.

2

1

2

1



TOP RAIL CONNECTION

- 26
- 24
- 23
- 14
- 13
- 12
- 11
- 2

BOTTOM RAIL CONNECTION

- 3
- 6
- 7
- 8
- 9
- 10
- 17
- 18
- 21
- 22
- 26
- 27

MOUNTING

- 4
- 5
- 20
- 25
- 28

NOTES:

- 1. DIFFERENT SIZES OF GLASS PANELS ARE AVAILABLE. REFER DWG NO: RAAS-G2-08 (1/4" THK) AND RAAS-G3-08 (3/8" THK).
- 2. MOUNTING:

FOR CONCRETE:

- 1. STD-AC-01 (3/8" THRU BOLT, 4" LENGTH)

FOR WOOD:

- 1. STD-AC-03 (3/8" LAG SCREW W/MIN 6" EMBED)

BILL OF MATERIAL TABLE			
ITEM NO.	PART NUMBER	DESCRIPTION	QTY.
1	RADF-SP-36	SQUARE POST, SHORT BLANK, (2 3/8" x 2 3/8" x 1/8" x 36")	AS REQD.
2	810S-TR-01	810 SERIES, TOP RAIL (3" x 1 1/2" x 1/8"), 20' LENGTH	AS REQD.
3	AAAA-BR-01	BOTTOM RAIL (1 3/8" x 1 1/2" x 1/8"), 20' LENGTH	AS REQD.
4	RADA-BP-01	BASE PLATE, 36" HEIGHT SQUARE POST	AS REQD.
5	RADA-PD-01	BASE PLATE PAD, SQUARE POST	AS REQD.
6	AAAS-HJ-03	BLOCK - C	AS REQD.
7	AAAS-HJ-02	BLOCK - A	AS REQD.
8	AAAA-RC-01	RCB, 1.5" PRE-CUT	AS REQD.
9	AAAS-HJ-01	BLOCK - B	AS REQD.
10	AAAA-BV-31	GLASS VINYL, BOTTOM RAIL, 3/8" THICK GLASS	AS REQD.
11	ASAA-MB-01	EGLASS SOLID, MOUNTING BRACKET	AS REQD.
12	ASAA-WS-01	WASHER	AS REQD.
13	ASAA-TI-01	EGLASS SOLID, INFILL, TOP RAIL, 20' LENGTH	AS REQD.
14	AAAA-TV-31	GLASS VINYL, TOP RAIL, 3/8" THICK GLASS	AS REQD.
15	RAAS-G3-08	3/8" TEMPERED GLASS, STAIR GUARD RAILING	AS REQD.
16	ASAA-EC-01	EGLASS SOLID, END CAP, TOP RAIL	AS REQD.
17	AAAA-UC-01	BOTTOM RAIL, UNDERSIDE COVER, 20' LENGTH	AS REQD.
18	AAAA-ST-31	STOPPER, 3/8" THICKNESS GLASS	AS REQD.
19	STD-DK-03	STEPS - CONCRETE	AS REQD.
20	STD-AC-01	3/8" THRU BOLT, 4" LG	AS REQD.
21	STD-NT-03	#10-24 SOCKET NUT	AS REQD.
22	STD-SC-02	#8 x 9/16" PAN HEAD TEK SCREW	AS REQD.
23	STD-SC-03	#10 x 3/4" PAN HEAD TEK SCREW	AS REQD.
24	STD-SC-04	1/4"-20 x 1" FLAT HEAD TF SCREW	AS REQD.
25	STD-SC-05	1/4"-20 x 1 3/4" FLAT HEAD TF SCREW	AS REQD.
26	STD-SC-12	#8 x 3/4" PAN HEAD TEK SCREW	AS REQD.
27	STD-SC-13	#10-24 SOCKET HEAD SCREW, 3/4" LG	AS REQD.
28	STD-SW-00	3/8" SCREW COVER	AS REQD.


eGlass Solid™

PROPRIETARY AND CONFIDENTIAL

THE INFORMATION CONTAINED IN THIS DRAWING IS THE SOLE PROPERTY OF EGLASS LLC. ANY REPRODUCTION IN PART OR AS A WHOLE WITHOUT THE WRITTEN PERMISSION OF EGLASS LLC IS PROHIBITED.

NOTES: UNLESS OTHERWISE SPECIFIED	
1. DIMENSIONS SHOWN - INCHES [MM]. 2. MACHINED SURFACES TO BE 63uIN MAX. 3. PART TO BE FREE OF BURRS AND SHARP EDGES. 4. ALL MATERIAL TO BE CLEAN, DEGREASED AND FREE OF ALL IMPURITIES. 5. ANY CHANGE MUST BE AUTHORIZED BY AN EGLASS ENGINEER.	DIMENSIONS ARE IN INCHES FRACTIONAL ± ANGULAR: MACH ± TWO PLACE DECIMAL ± THREE PLACE DECIMAL ± MATERIAL FINISH DO NOT SCALE DRAWING

NAME	DATE
V.P.	08/07/18
DRAWN	
ENG APPR.	
MFG APPR.	
COMMENTS: PURCHASER HAS THE FULL RESPONSIBILITY TO COMPLY WITH LOCAL, NATIONAL AND INTERNATIONAL BUILDING CODES. PURCHASER SHALL COMPLY IN ALL RESPECTS WITH ALL APPLICABLE LEGAL REQUIREMENTS GOVERNING THE DUTIES, OBLIGATIONS, AND BUSINESS PRACTICES OF THEIR LOCALITIES AND SHALL OBTAIN ANY PERMITS OR LICENSES NECESSARY FOR THEIR OPERATIONS.	



TITLE:  
**EGLASS SOLID, DECK MOUNT, STAIR GUARD, 36" RAILING SYSTEM**

SIZE <b>A</b>	DWG. NO. <b>RSDS-00-00</b>	REV <b>4</b>
SCALE: 1:50	WEIGHT:	SHEET 3 OF 3

2

1