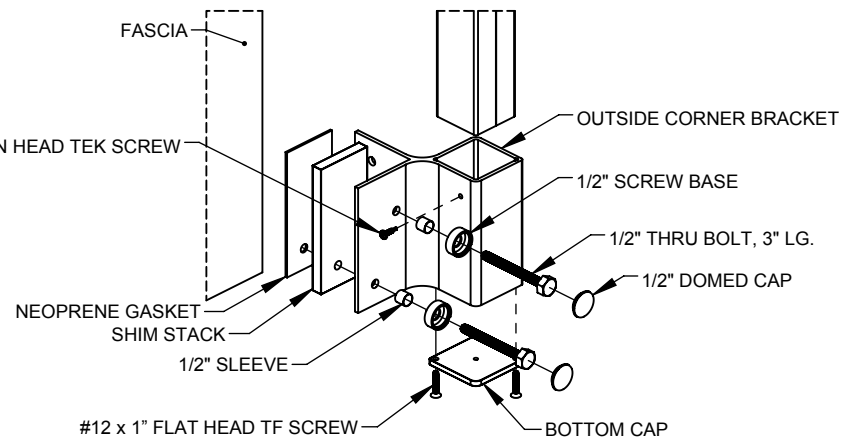
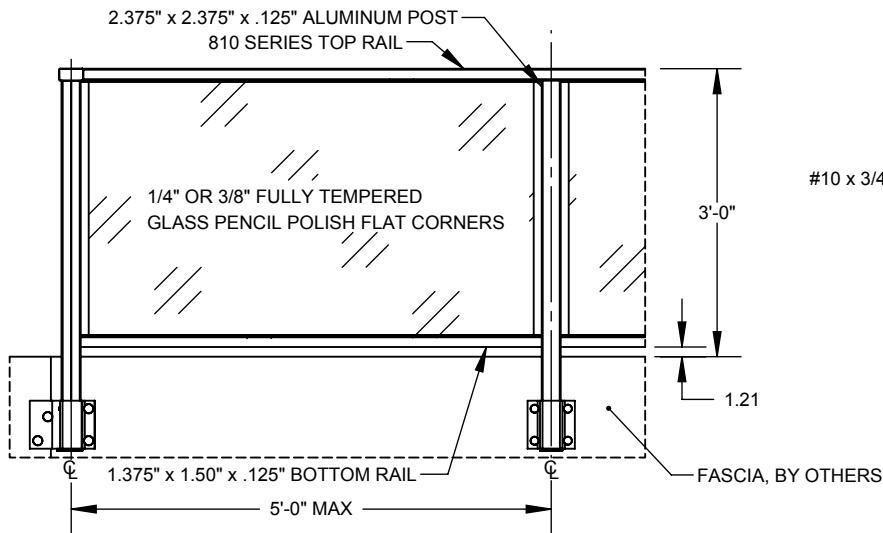


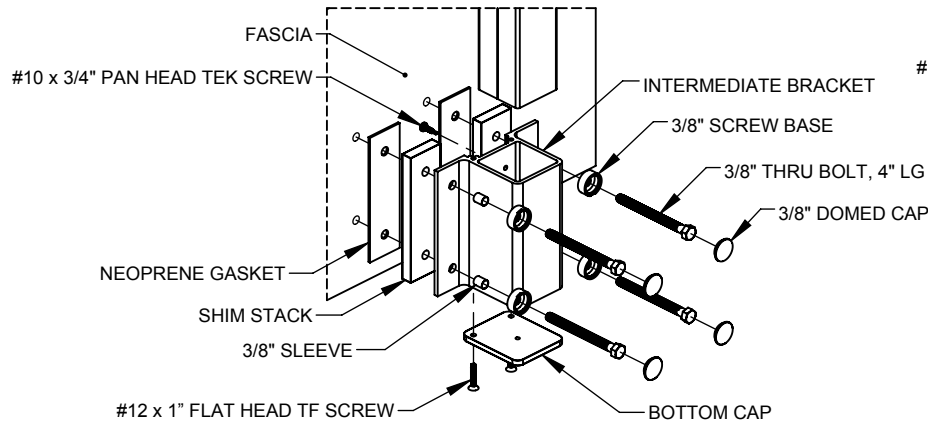
2

1

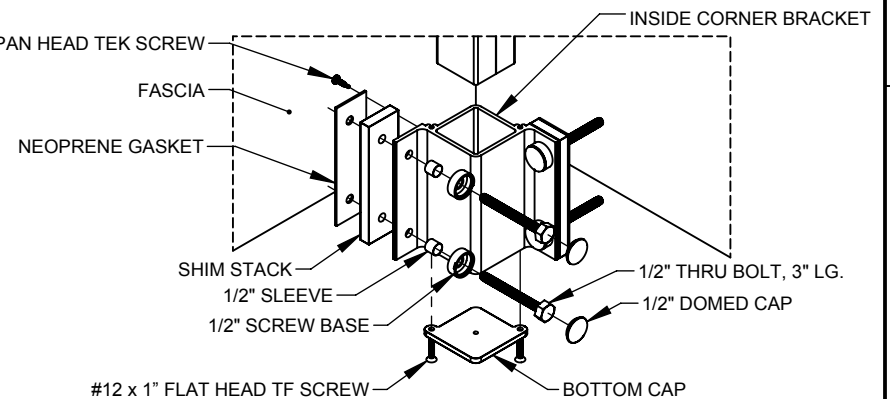


① GLASS WITH TOP & BOTTOM RAIL, FASCIA MOUNT, WITH BRACKET

② TYP. OUTSIDE CORNER CONNECTION
SCALE 1 : 8



③ TYP. INTERMEDIATE BRACKET CONNECTION
SCALE 1 : 8



④ TYP. INSIDE CORNER BRACKET CONNECTION
SCALE 1 : 8

eGlass Solid™

PROPRIETARY AND CONFIDENTIAL

THE INFORMATION CONTAINED IN THIS DRAWING IS THE SOLE PROPERTY OF EGLASS LLC. ANY REPRODUCTION IN PART OR AS A WHOLE WITHOUT THE WRITTEN PERMISSION OF EGLASS LLC IS PROHIBITED.

NOTES: UNLESS OTHERWISE SPECIFIED

1. DIMENSIONS SHOWN - INCHES [MM].
2. MACHINED SURFACES TO BE 63uIN MAX.
3. PART TO BE FREE OF BURRS AND SHARP EDGES.
4. ALL MATERIAL TO BE CLEAN, DEGREASED AND FREE OF ALL IMPURITIES.
5. ANY CHANGE MUST BE AUTHORIZED BY AN EGLASS ENGINEER.

DIMENSIONS ARE IN INCHES
FRACTIONAL ±
ANGULAR: MACH ±
TWO PLACE DECIMAL ±
THREE PLACE DECIMAL ±

MATERIAL

FINISH

DO NOT SCALE DRAWING

NAME DATE
V.P. 08/07/18

DRAWN
ENG APPR.
MFG APPR.

COMMENTS:
PURCHASER HAS THE FULL RESPONSIBILITY TO COMPLY WITH LOCAL, NATIONAL AND INTERNATIONAL BUILDING CODES. PURCHASER SHALL COMPLY IN ALL RESPECTS WITH ALL APPLICABLE LEGAL REQUIREMENTS GOVERNING THE DUTIES, OBLIGATIONS, AND BUSINESS PRACTICES OF THEIR LOCALITIES AND SHALL OBTAIN ANY PERMITS OR LICENSES NECESSARY FOR THEIR OPERATIONS.



TITLE: **EGLASS SOLID, FASCIA MOUNT, FLAT DECK, WITH BRACKET, 36" RAILING SYSTEM**

SIZE DWG. NO. REV
A RSGF-00-00 5

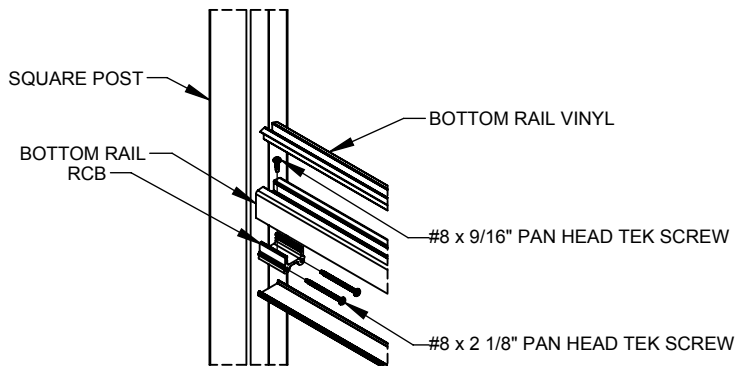
SCALE: 1:24 WEIGHT: SHEET 1 OF 3

2

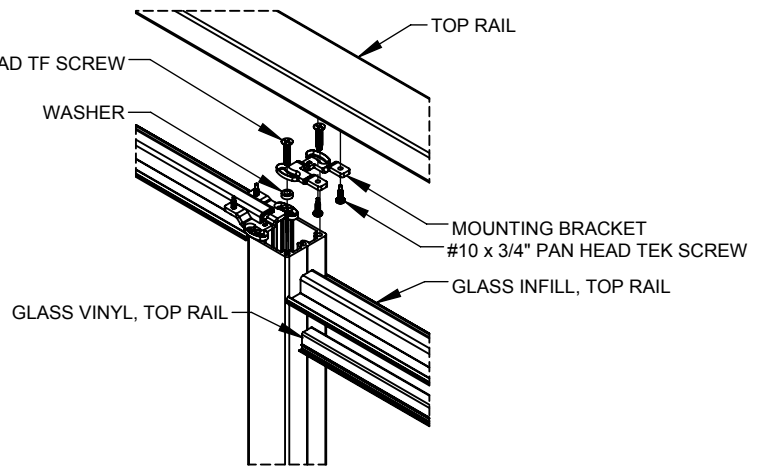
1

2

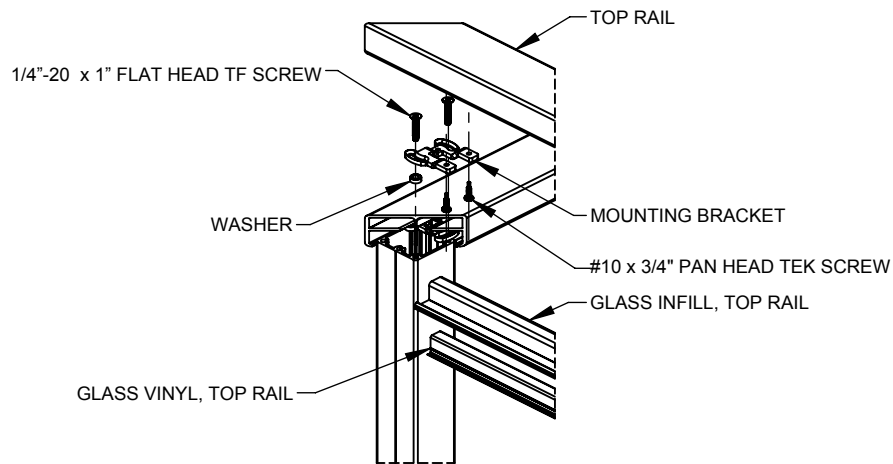
1



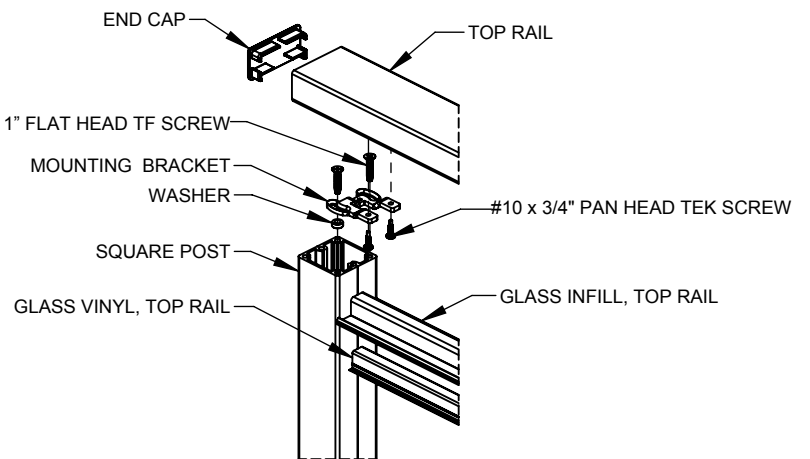
5 TYP. BOTTOM RAIL CONNECTION



6 TYP. TOP RAIL CONNECTION



7 TYP. CORNER CONNECTION



8 END CONDITION DETAIL

B

B

A

A

eGlass Solid™

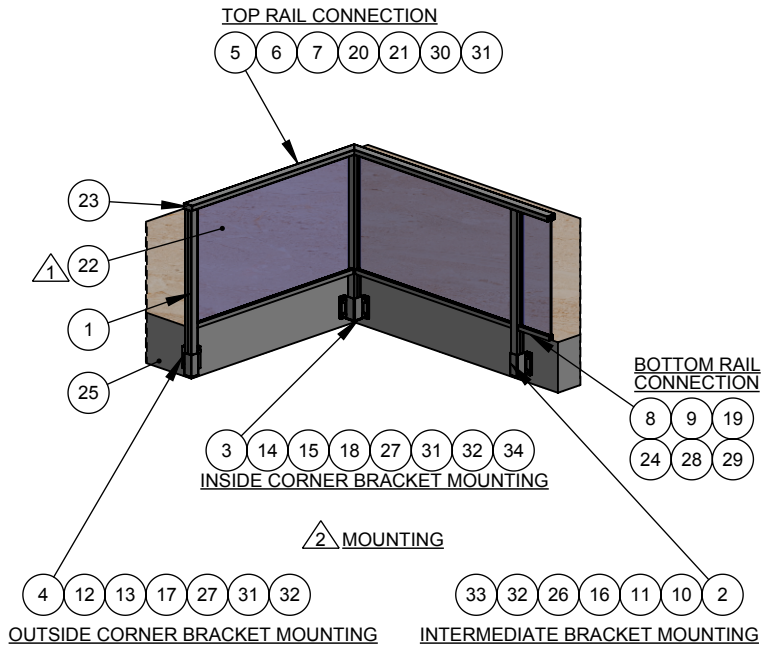
PROPRIETARY AND CONFIDENTIAL

THE INFORMATION CONTAINED IN THIS DRAWING IS THE SOLE PROPERTY OF EGLASS LLC. ANY REPRODUCTION IN PART OR AS A WHOLE WITHOUT THE WRITTEN PERMISSION OF EGLASS LLC IS PROHIBITED.

NOTES: UNLESS OTHERWISE SPECIFIED		NAME	DATE	eGLASS RAILING™	
1. DIMENSIONS SHOWN - INCHES [MM].	DIMENSIONS ARE IN INCHES FRACTIONAL ±	DRAWN	V.P.	08/07/18	TITLE: EGLASS SOLID, FASCIA MOUNT, FLAT DECK, WITH BRACKET, 36" RAILING SYSTEM
2. MACHINED SURFACES TO BE 63µIN MAX.	ANGULAR: MACH ±	ENG APPR.			
3. PART TO BE FREE OF BURRS AND SHARP EDGES.	TWO PLACE DECIMAL ±	MFG APPR.			
4. ALL MATERIAL TO BE CLEAN, DEGREASED AND FREE OF ALL IMPURITIES.	THREE PLACE DECIMAL ±	COMMENTS:		SIZE	DWG. NO.
5. ANY CHANGE MUST BE AUTHORIZED BY AN EGLASS ENGINEER.	MATERIAL	PURCHASER HAS THE FULL RESPONSIBILITY TO COMPLY WITH LOCAL, NATIONAL AND INTERNATIONAL BUILDING CODES. PURCHASER SHALL COMPLY IN ALL RESPECTS WITH ALL APPLICABLE LEGAL REQUIREMENTS GOVERNING THE DUTIES, OBLIGATIONS, AND BUSINESS PRACTICES OF THEIR LOCALITIES AND SHALL OBTAIN ANY PERMITS OR LICENSES NECESSARY FOR THEIR OPERATIONS.		A	RSGF-00-00
	FINISH			SCALE: 1:8	REV 5
	DO NOT SCALE DRAWING			WEIGHT:	SHEET 2 OF 3

2

1



BILL OF MATERIAL TABLE			
ITEM NO.	PART NUMBER	DESCRIPTION	QTY.
1	AAAA-SP-48	SQUARE POST, MEDIUM BLANK, (2 3/8" x 2 3/8" x 1/8" x 48")	AS REQD.
2	AAGA-IB-01	INTERMEDIATE FASCIA BRACKET, 6" HEIGHT	AS REQD.
3	AAGA-IC-01	INSIDE CORNER FASCIA BRACKET, 6" HEIGHT	AS REQD.
4	AAGA-OC-01	OUTSIDE CORNER FASCIA BRACKET, 6" HEIGHT	AS REQD.
5	810S-TR-01	810 SERIES, TOP RAIL (3" x 1 1/2" x 1/8"), 20' LENGTH	AS REQD.
6	ASAA-TI-01	EGLASS SOLID, INFILL, TOP RAIL, 20' LENGTH	AS REQD.
7	AAAA-TV-31	GLASS VINYL, TOP RAIL, 3/8" THICK GLASS	AS REQD.
8	AAAA-BR-01	BOTTOM RAIL (1 3/8" x 1 1/2" x 1/8"), 20' LENGTH	AS REQD.
9	AAAA-BV-31	GLASS VINYL, BOTTOM RAIL, 3/8" THICK GLASS	AS REQD.
10	AAGA-SH-01	SHIM STACK, INTERMEDIATE BRACKET	AS REQD.
11	AAGA-NG-01	NEOPRENE GASKET, INTERMEDIATE BRACKET	AS REQD.
12	AAGA-SH-02	SHIM STACK, OUTSIDE CORNER BRACKET	AS REQD.
13	AAGA-NG-02	NEOPRENE GASKET, OUTSIDE CORNER BRACKET	AS REQD.
14	AAGA-SH-03	SHIM STACK, INSIDE CORNER BRACKET	AS REQD.
15	AAGA-NG-03	NEOPRENE GASKET, INSIDE CORNER BRACKET	AS REQD.
16	AAGA-BC-01	BOTTOM CAP, INTERMEDIATE FASCIA BRACKET	AS REQD.
17	AAGA-BC-02	BOTTOM CAP, OUTSIDE CORNER BRACKET	AS REQD.
18	AAGA-BC-03	BOTTOM CAP, INSIDE CORNER FASCIA BRACKET	AS REQD.
19	AAAA-RC-01	RCB, 1.5" PRE-CUT	AS REQD.
20	ASAA-MB-01	EGLASS SOLID, MOUNTING BRACKET	AS REQD.
21	ASAA-WS-01	WASHER	AS REQD.
22	RAAF-G3-56	3/8" TEMPERED GLASS, DECK RAILING	AS REQD.
23	ASAA-EC-01	EGLASS SOLID, END CAP, TOP RAIL	AS REQD.
24	AAAA-UC-01	BOTTOM RAIL, UNDERSIDE COVER, 20' LENGTH	AS REQD.
25	STD-DK-01	CONCRETE DECK	AS REQD.
26	STD-AC-06	3/8" THRU BOLT, 4" LG	AS REQD.
27	STD-AC-07	1/2" THRU BOLT, 3" LG.	AS REQD.
28	STD-SC-01	#8 x 2 1/8" PAN HEAD TEK SCREW	AS REQD.
29	STD-SC-02	#8 x 9/16" PAN HEAD TEK SCREW	AS REQD.
30	STD-SC-04	1/4"-20 x 1" FLAT HEAD TF SCREW	AS REQD.
31	STD-SC-03	#10 x 3/4" PAN HEAD TEK SCREW	AS REQD.
32	STD-SC-09	#12 x 1" FLAT HEAD TF SCREW	AS REQD.
33	STD-SW-00	3/8" SCREW COVER	AS REQD.
34	STD-SW-10	1/2" SCREW COVER	AS REQD.

NOTES:

- 1. DIFFERENT SIZES OF GLASS PANELS ARE AVAILABLE. REFER DWG NO: RAAF-G2-08 (1/4" THK) AND RAAF-G3-08 (3/8" THK).
- 2. MOUNTING:
INSIDE CORNER AND OUTSIDE CORNER BRACKETS:
FOR CONCRETE: 1. STD-AC-07 (3/8" THRU BOLT, 3.5" LENGTH)
FOR WOOD: 1. STD-AC-08 (5/8" LAG SCREW W/MIN 6" EMBED)
INTERMEDIATE BRACKETS:
FOR CONCRETE: 1. STD-AC-06 (3/8" THRU BOLT, 4" LENGTH)
FOR WOOD: 1. STD-AC-05 (3/8" LAG SCREW W/MIN 6" EMBED)

NOTES: UNLESS OTHERWISE SPECIFIED	
1. DIMENSIONS SHOWN - INCHES [MM].	DIMENSIONS ARE IN INCHES FRACTIONAL ±
2. MACHINED SURFACES TO BE 63µIN MAX.	ANGULAR: MACH ±
3. PART TO BE FREE OF BURRS AND SHARP EDGES.	TWO PLACE DECIMAL ±
4. ALL MATERIAL TO BE CLEAN, DEGREASED AND FREE OF ALL IMPURITIES.	THREE PLACE DECIMAL ±
5. ANY CHANGE MUST BE AUTHORIZED BY AN EGLASS ENGINEER.	MATERIAL
	FINISH
	DO NOT SCALE DRAWING

NAME	DATE
V.P.	08/07/18
DRAWN	
ENG APPR.	
MFG APPR.	
COMMENTS: PURCHASER HAS THE FULL RESPONSIBILITY TO COMPLY WITH LOCAL, NATIONAL AND INTERNATIONAL BUILDING CODES. PURCHASER SHALL COMPLY IN ALL RESPECTS WITH ALL APPLICABLE LEGAL REQUIREMENTS GOVERNING THE DUTIES, OBLIGATIONS, AND BUSINESS PRACTICES OF THEIR LOCALITIES AND SHALL OBTAIN ANY PERMITS OR LICENSES NECESSARY FOR THEIR OPERATIONS.	

TITLE: EGLASS SOLID, FASCIA MOUNT, FLAT DECK, WITH BRACKET, 36" RAILING SYSTEM

SIZE	DWG. NO.	REV
A	RSGF-00-00	5
SCALE: 1:50	WEIGHT:	SHEET 3 OF 3

eGlass Solid™

PROPRIETARY AND CONFIDENTIAL

THE INFORMATION CONTAINED IN THIS DRAWING IS THE SOLE PROPERTY OF EGLASS LLC. ANY REPRODUCTION IN PART OR AS A WHOLE WITHOUT THE WRITTEN PERMISSION OF EGLASS LLC IS PROHIBITED.