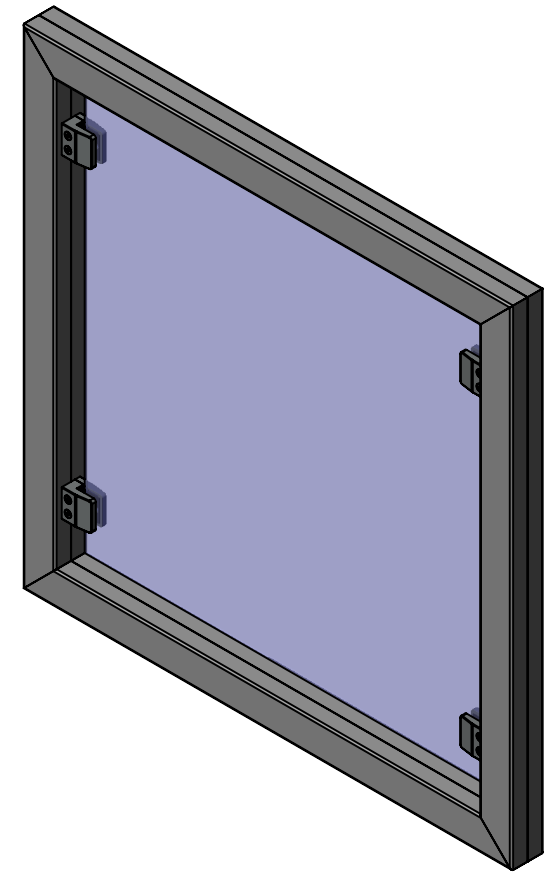
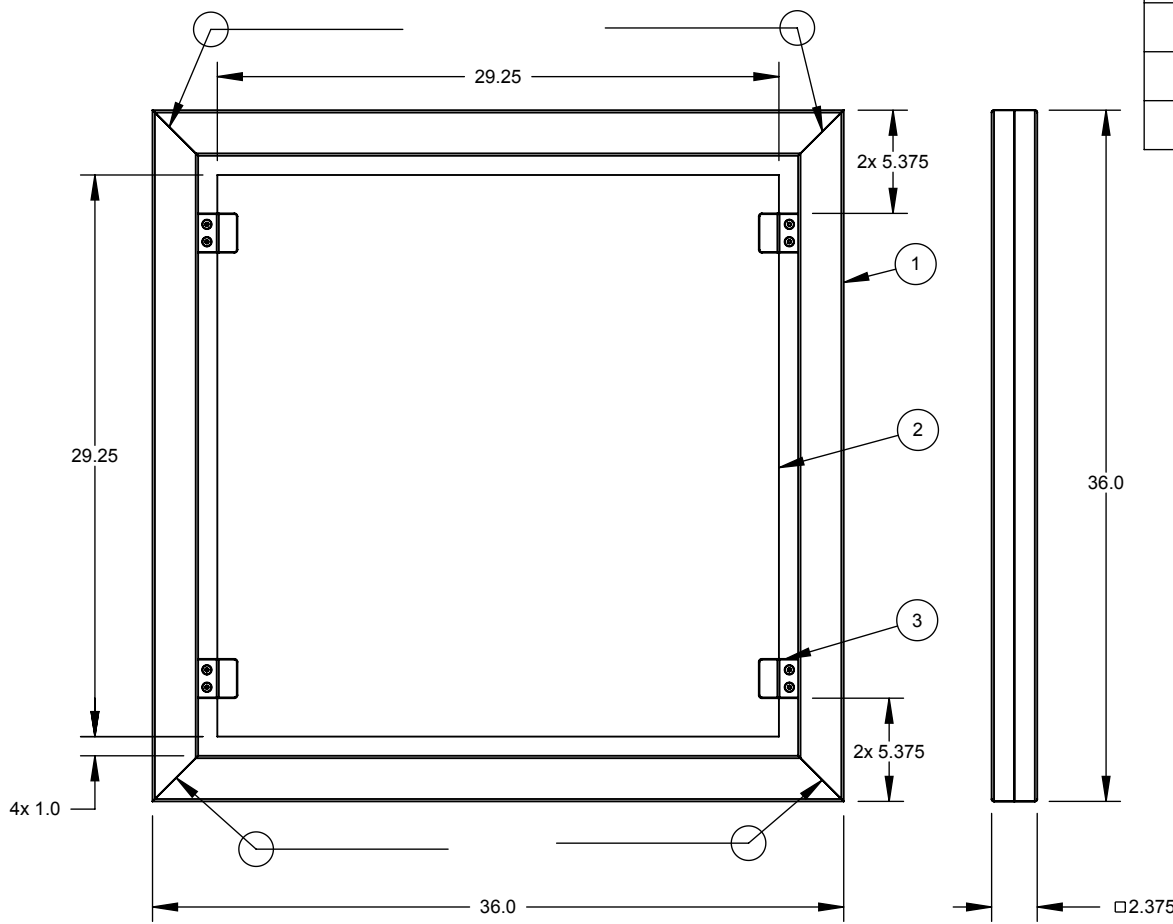


2

1

BILL OF MATERIAL TABLE			
ITEM NO.	PART NUMBER	DESCRIPTION	QTY.
1	RADF-SP-36	SQUARE POST, SHORT BLANK, (2 3/8" x 2 3/8" x 1/8" x 36")	4
2	GATE GLASS PANEL	29 1/4" x 29 1/4" x 1/4" TEMPERED GLASS PANEL	1
3	AVAA-GC-10	SQUARE GLASS CLAMP	4



B

B

A

A

NOTES: UNLESS OTHERWISE SPECIFIED		NAME	DATE	eGLASS RAILING™	
1. DIMENSIONS SHOWN - INCHES [MM]. 2. MACHINED SURFACES TO BE 63µIN MAX. 3. PART TO BE FREE OF BURRS AND SHARP EDGES. 4. ALL MATERIAL TO BE CLEAN, DEGREASED AND FREE OF ALL IMPURITIES. 5. ANY CHANGE MUST BE AUTHORIZED BY AN EGLASS ENGINEER.	DIMENSIONS ARE IN INCHES	DRAWN	V.P.	04/10/19	TITLE: GATE
	FRACTIONAL ±	ENG APPR.			
	ANGULAR: MACH ±	MFG APPR.			
	TWO PLACE DECIMAL ±	COMMENTS:		PURCHASER HAS THE FULL RESPONSIBILITY TO COMPLY WITH LOCAL, NATIONAL AND INTERNATIONAL BUILDING CODES. PURCHASER SHALL COMPLY IN ALL RESPECTS WITH ALL APPLICABLE LEGAL REQUIREMENTS GOVERNING THE DUTIES, OBLIGATIONS, AND BUSINESS PRACTICES OF THEIR LOCALITIES AND SHALL OBTAIN ANY PERMITS OR LICENSES NECESSARY FOR THEIR OPERATIONS.	
THREE PLACE DECIMAL ±	MATERIAL			SIZE	DWG. NO.
	FINISH			A	
	DO NOT SCALE DRAWING			SCALE: 1:10	WEIGHT:
				SHEET 1 OF 1	

PROPRIETARY AND CONFIDENTIAL

THE INFORMATION CONTAINED IN THIS DRAWING IS THE SOLE PROPERTY OF EGLASS LLC. ANY REPRODUCTION IN PART OR AS A WHOLE WITHOUT THE WRITTEN PERMISSION OF EGLASS LLC IS PROHIBITED.

2

1